

GE Infusion™ Downlight

GE Infusion™ Fixed
Downlight Range 2



DATA SHEET



Product information

The GE Infusion™ Downlights are designed to open up new possibilities for the use of long-lasting, controllable, low maintenance LED solutions in commercial, retail and other applications where the quality of light is critical to the customer experience.

In addition to offering excellent energy efficiency and long life, the GE Infusion™ Downlights provide an outstanding and consistent color quality, perfect for accent light in retail, office and hospitality applications. Change optics, module type, color and lumen package for different light distribution and application.

GE Infusion™ Downlights are a range of high-quality luminaires designed to reduce lighting costs without compromise to the visual quality of indoor environments.

Features & Benefits

- GE Infusion™ socket is included in the fixture
- LED Infusion™ Fixed Downlight
- Extruded aluminum passive heat sink for the complete range
- Various module options are available (M-Series and NPM)
- Multiple optic options offering various beam patterns (Flood, Wide Flood, Very Wide Flood)
- Pre-wired remote driver options (Static, 1-10V, or DALI)
- 500mm LSF Mains Lead Fitted
- Minimum 1 mm ceiling thickness required, maximum 30 mm.
- Cut out diameter is 176 mm
- Ceiling compatibility: Plasterboard, Gypsum, Metal panels, Wooden panels, etc.

Infusion™ Benefits

- Long-term color consistency: the color shift over time is barely visible for human eye (less than 4 step MacAdam).
- One socket for all retail and office applications
- Uses remote driver
- 2700K, 3000K & 4000K color temperatures
- Five lumen packages (1000-4500 lumens)
- Two CRI options available 80+ or 90
- GE Infusion™ Optics with various beam angles (25, 35, 55°)
- Twist in modular solution for quick, tool-free replaceability
- Excellent lumen maintenance: L85 50,000 hours
- Exceptionally stable CRI across all color ratings
- NPM delivers high intensity narrow beams to create drama

Structures & Materials

Housing: Steel housing.

Optic: Flame-retardant polycarbonate and vacuum metalised aluminium (Infusion™). Aluminium & bright secondary reflector.

LED heat sink: Extruded black anodised heatsink.

Bezel: Die-cast aluminium, powder coated fine texture white RAL9010.

Applications

- Retail Lighting
- Commercial Lighting
- Healthcare Lighting
- Education Lighting



Explore Infusion™

Brighten Your Environment with a Little Twist

The Infusion™ LED Module opens up a world of new lighting possibilities. The palm-sized Infusion™ module is quick to install, easy to service and ready to upgrade as LED technology progresses.

With a wide range of lumen packages, a 50,000-hour rated life, and long-term energy savings, the reliable GE LED solution is equipped for your lighting needs today and into the future.



Downlight LED Product Selector

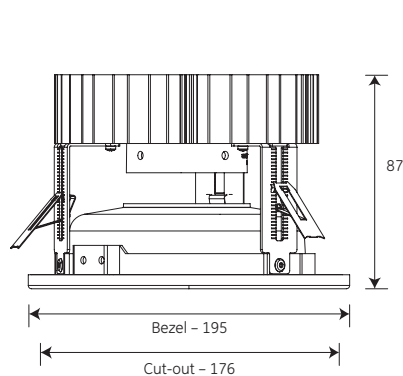
Lumen package	DLR Fixture			Module				Optic			
	Control	Total System Power [W]	Order code	CRI	Color Temperature [K]	Light output [lm]	Order code	Beam distribution	Beam Angle [°]	LOR	Order code
1000	Static	16	89999	80	2700	975	98792	FL WFL VWFL	25	88	97208
	1-10V	16	90015	80	3000	1050	98793		35	86	97206
	DALI	16	90025	90	3000	850	98794		55	90	97207
				80	4000	1125	98795				
1500	Static	23	90027	80	2700	1425	98796	FL WFL VWFL	25	85	97208
	1-10V	23	90029	80	3000	1525	98797		35	84	97206
	DALI	24	90034	90	3000	1250	98798		55	87	97207
				80	4000	1625	98799				
2000	Static	31	90035	80	2700	1900	98800	FL WFL VWFL	25	85	64996
	1-10V	31	90036	80	3000	2025	98801		35	80	64995
	DALI	31	90037	90	3000	1650	98802		55	85	64994
				80	4000	2175	98803				
3000	Static	45	90038	80	2700	2775	98804	FL WFL VWFL	25	85	64996
	1-10V	45	90045	80	3000	2975	98805		35	82	97208
	DALI	45	90071	90	3000	2425	98806		55	85	64994
				80	4000	3175	98807				
4500	Static	55	89912	80	2700	3800	98463	FL WFL VWFL	25	82	64996
	1-10V	55	89913	80	3000	4200	98464		35	78	97208
	DALI	56	89914	90	3000	3300	98465		55	82	64994
				80	4000	4500	98466				
NPM	Static	29	94370	80	2700	1300	98471	NSP NSP Premium	12	79	98477
	1-10V	29	94371	80	3000	1400	98472		11	79	94635
	DALI	29	94372	90	3000	1100	98473				
				80	4000	1500	98474				

Specifications

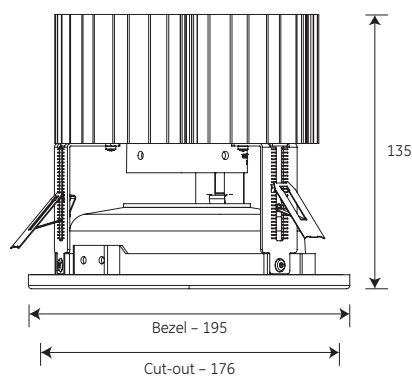
Input Voltage [V]	220-240
System Input Power [W]	16-56, depends on performance choice
Input Frequency [Hz]	50/60
CCT [K]	2700/3000/4000
CRI	80+ or 90, depends on modules choice
Tilting angle [°]	Fixed
Rotation angle [°]	Fixed
Control (Min. dimming is 10%)	Static/Dali/1-10V
35-100% Dimming range for models	90015, 90029, 94371
Warranty [years]	5
Files available	ies, dwg, Install instructions
Dimensions up to 2000lm [mm]	195x87
Dimensions above 2000lm [mm]	195x135
Installation/Cut out diameter	176
Weight [kg]	max 1.4
Humidity	20-50% non-condensing, dry locations only
Operating Temperature Range [°C]	-10 to +35
Storage Temperature Range [°C]	-40 to +50
IP Rating (optical)	IP54 with Clear Glass accessory
IP Rating	IP20

Dimensions [mm]





Dimensions up to 2000 lumen



Dimensions above 2000 lumen



Range 2 Fixed Accessories

Product Code	Product Description	Image
98332	RAL9006 SILVER BEZEL R2	
98333	CLEAR HALO RING R2	
98334	CLEAR DROPPED HALO R2	
98335	OPAL DOMED GLASS R2	
98336	IP54 CLEAR GLASS R2	