

# GE Infusion™ Downlight

GE Infusion™ Fixed  
Downlight Range 3



DATA SHEET



## Product information

The GE Infusion™ Downlights are designed to open up new possibilities for the use of long-lasting, controllable, low maintenance LED solutions in commercial, retail and other applications where the quality of light is critical to the customer experience.

In addition to offering excellent energy efficiency and long life, the GE Infusion™ Downlights provide an outstanding office and hospitality applications. Change optics, module type, color and lumen package for different light distribution and application.

GE Infusion™ Downlights are a range of high-quality luminaires designed to reduce lighting costs without compromise to the visual quality of indoor environments.

## Features & Benefits

- GE Infusion™ socket is included in the fixture
- LED Infusion™ Fixed Downlight
- Extruded aluminum passive heat sink up to 2000LM
- Various module options are available (M-Series and NPM)
- Multiple optic options offering various beam patterns (Flood, Wide Flood, Very Wide Flood)
- Pre-wired remote driver options (Static, 1-10V, or DALI)
- 500mm LSF Mains Lead Fitted
- Minimum 6.5 mm ceiling thickness required, maximum 35 mm
- Cut out diameter is 115 mm
- Ceiling compatibility: Plasterboard, Gypsum, Metal panels, Wooden panels, etc.

## Infusion™ Benefits

- Long-term color consistency: The color shift over time is barely visible for human eye (less than 4 step MacAdam).
- One socket for all retail and office applications
- Uses remote driver
- 2700K, 3000K & 4000K color temperatures
- Five lumen packages (1000-4500 lumens)
- Two CRI options available 80+ or 90
- GE Infusion™ Optics with various beam angles (25, 35, 55°)
- Twist in modular solution for quick, tool-free replaceability
- Excellent lumen maintenance: L85 50,000 hours
- Exceptionally stable CRI across all color ratings
- NPM delivers high intensity narrow beams to create drama

## Structures & Materials

**Housing:** Die-cast aluminium body, powder coated fine texture white RAL9010. Die cast aluminium chassis, powder coated black.

**Optic:** Flame-retardant polycarbonate and vacuum metalised aluminium (Infusion™).

**LED heat sink:** Active or passive heat sink depending on performance choice.

**Bezel:** Die-cast aluminium, powder coated fine texture white RAL9010

## Applications

- Retail Lighting
- Commercial Lighting
- Healthcare Lighting
- Education Lighting



## Explore Infusion™

### Brighten Your Environment with a Little Twist

The Infusion™ LED Module opens up a world of new lighting possibilities. The palm-sized Infusion™ module is quick to install, easy to service and ready to upgrade as LED technology progresses.

With a wide range of lumen packages, a 50,000-hour rated life, and long-term energy savings, the reliable GE LED solution is equipped for your lighting needs today and into the future.



### Downlight LED Product Selector

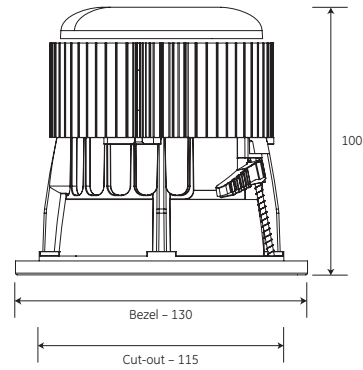
Lumen package	DLR Fixture			CRI	Module			Beam distribution	Beam Angle [°]	LOR	Order code
	Control	Total System Power [W]	Order code		Color Temperature [K]	Light output [lm]	Order code				
1000	Static	16	97810	80	2700	975	98792	FL WFL VWFL	25 35 55	88 86 90	97208 97206 97207
	1-10V	16	97809	80	3000	1050	98793				
	DALI	16	97808	90	3000	850	98794				
				80	4000	1125	98795				
1500	Static	23	97807	80	2700	1425	98796	FL WFL VWFL	25 35 55	85 84 87	97208 97206 97207
	1-10V	23	97806	80	3000	1525	98797				
	DALI	24	97805	90	3000	1250	98798				
				80	4000	1625	98799				
2000	Static	31	97804	80	2700	1900	98800	FL WFL VWFL	25 35 55	85 80 85	64996 64995 64994
	1-10V	31	97803	80	3000	2025	98801				
	DALI	31	97802	90	3000	1650	98802				
				80	4000	2175	98803				
3000	Static	46	97801	80	2700	2775	98804	FL WFL VWFL	25 35 55	85 82 85	64996 97208 64994
	1-10V	46	97800	80	3000	2975	98805				
	DALI	46	97799	90	3000	2425	98806				
				80	4000	3175	98807				
4500	Static	57	89909	80	2700	3800	98463	FL WFL VWFL	25 35 55	82 78 82	64996 97208 64994
	1-10V	57	89910	80	3000	4200	98464				
	DALI	57	89911	90	3000	3300	98465				
				80	4000	4500	98466				
NPM	Static	29	90916	80	2700	1300	98471	NSP NSP Premium	12 11	79 79	98477 94635
	1-10V	29	90917	80	3000	1400	98472				
	DALI	29	90918	90	3000	1100	98473				
				80	4000	1500	98474				

## Specifications

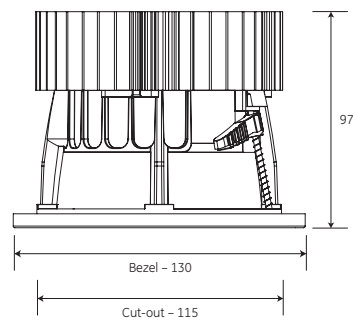
Input Voltage [V]	220-240
System Input Power [W]	16-57, depends on performance choice
Input Frequency [Hz]	50/60
CCT [K]	2700/3000/4000
CRI	80+ or 90, depends on modules choice
Tilting angle [°]	Fixed
Rotation angle [°]	Fixed
Control (Min. dimming is 10%)	Static/Dali/1-10V
35-100% Dimming range for models	97809, 97806, 90917
Warranty [years]	5
Files available	ies, dwg, Install instructions
Dimensions up to 2000lm [mm]	130x97
Dimensions above 2000lm [mm]	130x100
Installation/Cut out diameter	115
Weight [kg]	max 1.1
Humidity	20-50% non-condensing, dry locations only
Operating Temperature Range [°C]	-10 to +35
Storage Temperature Range [°C]	-40 to +50
IP Rating (optical)	IP54 with Clear Glass R3 accessory
IP Rating	IP20

## Dimensions [mm]

### Active cooling



### Passive cooling



## Range 3 Fixed Accessories

Product Code	Product Description	Image
98337	RAL9006 SILVER BEZEL R3	
98338	CLEAR HALO RING R3	
98339	CLEAR DROPPED HALO R3	
98340	OPAL DOMED GLASS R3	
98341	IP54 CLEAR GLASS R3	