



BEFORE YOU BEGIN

Read these instructions completely and carefully.
Save these instructions for future use.

⚠ WARNING

Risk of electrical shock. Disconnect power before servicing or installing product.

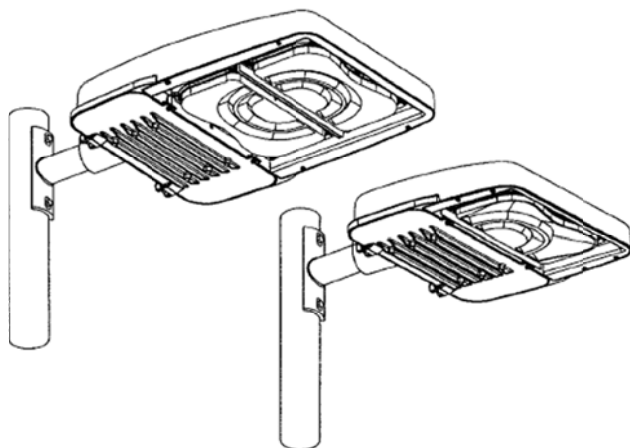
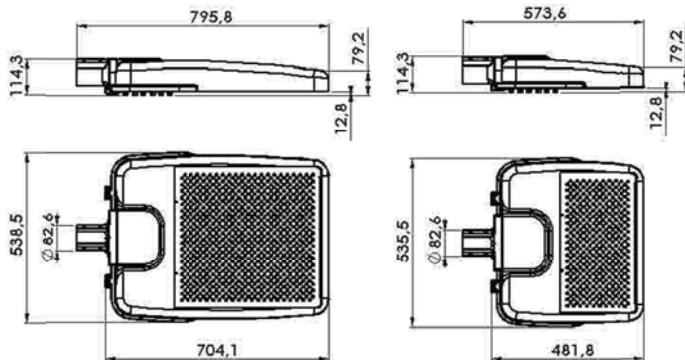
⚠ WARNING

Risk of injury or damage. Unit will fall if not installed properly. Follow installation instructions.

⚠ CAUTION

Risk of injury. Wear safety glasses and gloves during installation and servicing.

DIMENSIONS (mm)



- This luminaire is designed for outdoor lighting service, and should not be used in areas of limited ventilation, or in high ambient temperatures.
- Best results will be obtained if installed and maintained according to the following recommendations.
- Luminaire is designed to operate in ambient temperatures ranging from -40°C to 50°C and to be mounted horizontally to a vertical pole with LEDs facing down, as shown.

SPECIFICATIONS (EU)

- Maximum weight
 - Single: 12.3 kg (27 lb).
 - Double: 17.5 Kg (38.6 lb).
- EPA: max. 0.13 m² (1.35 ft²) (Calculated using 1.30 Cd x Total Area of 0.01 m² (1.04 ft²)).
- IP Rating: IP65
- IK Rating: IK08
- Class I
- RoHS compliance



UNPACKING

- This luminaire has been properly packed so that no parts should have been damaged during transit.
- Inspect to confirm.

HANDLING

- Damage may occur if luminaire is improperly handled outside of pack.
- Do not impact or stack luminaire after removal from packaging.

MOUNTING

⚠ WARNING

Risk of injury or damage. Unit will fall if not installed properly. Follow installation instructions.

Follow the appropriate installation instructions based on your selected mounting method:

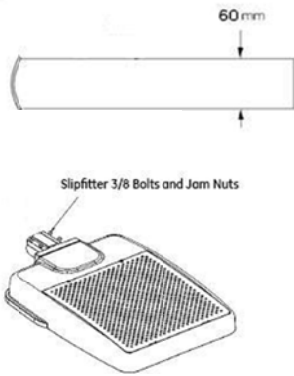
- Slipfitter Mounting. (*With Fitting*)
- Round Pole Architectural Arm Mounting. (*Optional accessory. Not included*)
- Wall Mount Arm. (*Optional accessory. Not included*)

3a- Slipfitter Mounting

This luminaire has been configured specifically to mount to a 60 mm pipe. (Figure 1a).

- Hold luminaire approximately level with pipe. Pull wires through arm and place slipfitter over 60 mm pipe.
- Tighten the four slipfitter 3/8 bolts to 14-19 N-m (10-14 ft-lbs). Tighten jam nuts after bolts have been tightened. (See Figure 1b).
- Inspect installation to ensure fixture is secure.





SLIPFITTER MOUNTING:

- For slipfitter units without leads, connections may be made to terminal board inside fixture.
- Note that care should be exercised not to pinch leads between door and housing when closing the door.

5 STORAGE

- Prior to installation, units should NOT be stored outside in corrugated boxes (cardboard boxes) alone.
- Until installation, all units should be placed in a covered dry storage area. The storage area should not exceed -40°C to 60°C.
 - This can be preferably in a roofed area or with a tarp that is secured in such a way to keep water off of the corrugated boxes (cardboard boxes).

WIRING

CAUTION

Risk of Damage or Injury: Door should be closed with screw until fixture in final location.

WARNING

- This luminaire is designed for outdoor lighting service, max ambient temperature -40°C to 50°C.
- *For other ambient temperature, consult with factory.*
- Disconnect power before installing or servicing.
- Avoid the location of the supply cable near hot components.
- This product must be installed by qualified personnel who must follow these instructions scrupulously and work in compliance with established legislation regarding electrical systems.
- We recommend to have a line with a protection against permanent and transient overvoltage.
- The safety of the product can only be guaranteed when these instructions are fully observed.
- Risk of Injury, "Replace the screen immediately if damaged or broken"
- Keep the instructions in a safe place for future consultation. Depending on the circumstances, the instructions in this document must be communicated, together with any other information that may be necessary, to any Company or person involved in the installation of GE products.
- The maintenance or replacement of any component must be made with identical items or appropriate ones, with those recommended by GE.
- It is the responsibility of the installer or final assembly, any impact resulting from an assembly that is not made in accordance with this instruction sheet.

CAUTION

- Risk of Burn, do not touch operating luminaire.
- Unit will fall if not properly installed, follow installation instructions.
- The luminaire shall only be used complete with its protective shield.

MAINTENANCE

- Make certain power is off before attempting any maintenance.
- To maintain the highest optical efficiency, occasional cleaning of the outer lens surface may be needed, with frequency dependent on local conditions.
- Use a mild soap or detergent, which is essentially neutral PH (PH approximately 6 to 8), nonabrasive, and which contains no chlorinated or aromatic hydrocarbons.
- Wash thoroughly, using a soft cloth.
- Rinse with clean, cold water and wipe dry.

GE Data subject to change without notice.



- NOTE: Make all electrical connections in accordance with any applicable local code requirements.

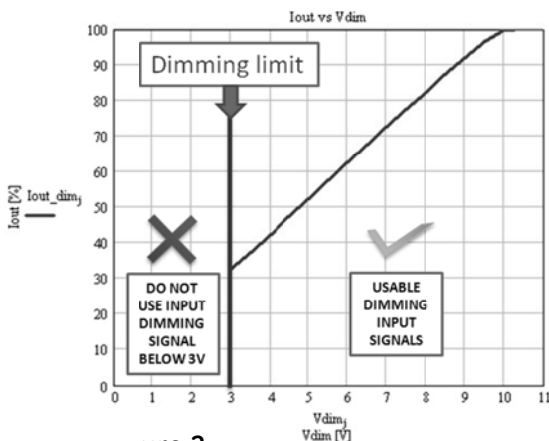
- Cable for incoming power must be provided in the pole top by the customer.
- Power supply cable (each: phase, neutral and ground) should be minimum 13 AWG (2.5mm²) Solid or Stranded. Power cable diameter should be within the range of (Ø 7-12mm) and for dimming (0-10Vdc) cable (Ø 5-10mm), for Customer Connection to Terminal Board:

Terminal Board Position	Supply Type	Dimming	
L	Phase	+	Positive
	Ground		Ground
N	Neutral	-	Negative

- NOTE: dimming can't be done to levels lower than 30% (3V) of system wattage (Figure 2).

The electric resistance between the regulation power source and the dimming terminal board should be less than 10 Ω (Single fixture) and 5Ω (Double fixture). The dimming DC power source must be able to provide at least 500uA (Single fixture) and 1000µA (Double fixture) within the 0-10VDC range.

- NOTE: Verify that supply voltage is correct by comparing it to label on the fitting placed close to the slipfitter or on carton. Connect the wires as indicated on the terminal board and labels.



ure 2

