

# Premium Decorative Dimmable range

Candle, Bent tip candle, Spherical, Globe

## Product information

GE's new premium range of LED Decorative lamps offers superb performance with high quality aesthetics and great reliability. Features such as standard IEC dimensions, 20,000 hours rated life and wide dimming compatibility combine to make this a highly desirable product range.

## Features

Available in clear and white finishes with a range of different shapes.

- Candle, Bent Tip, Spherical & Globe
- 270 lumens output
- Extra Warm White 2700K
- 20,000 hours life
- Dimmable
- 100% retro-fit

## Application areas

This range of Dimmable Decorative Lamps offers fantastic energy savings vs. traditional lamps and is perfect for high quality lighting applications. The sparkling output of the Clear types is particularly suited to Hospitality and/or Heritage applications, and the compliance with IEC dimensions ensures easy replacement into existing ornamental fixtures. Together with the excellent energy savings from a 4.5W input, it provides a perfect combination of beauty and efficiency.

## Compliance

### Standards

- IEC62560: Self-ballasted LED-lamps for general lighting services by voltage > 50 V - Safety specifications
- IEC62471: Photobiological safety of lamps and lamp systems



- EN55015: Limits and methods of measurement of radio disturbance characteristics of electrical lighting and similar equipment
- EN61547: Equipment for general lighting purposed EMC immunity requirements
- EN61000-3-2: Limits for harmonic current emissions
- EN61000-3-3: Limitation of voltage fluctuations and flicker in low voltage supply systems for equipment with rated current  $\leq 16A$
- IEC60630: Maximum lamp outlines for incandescent lamps
- IES LM-79-08: IES approved method for the electrical and photometric measurements of solid-state lighting products
- IES LM-80-08: IES Approved Method: Measuring Lumen Maintenance of LED Light Sources
- IEC62612(PAS) Self-ballasted LED-lamps for general lighting service >50V – Performance requirement



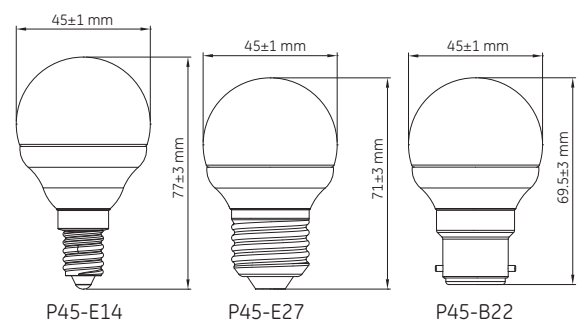
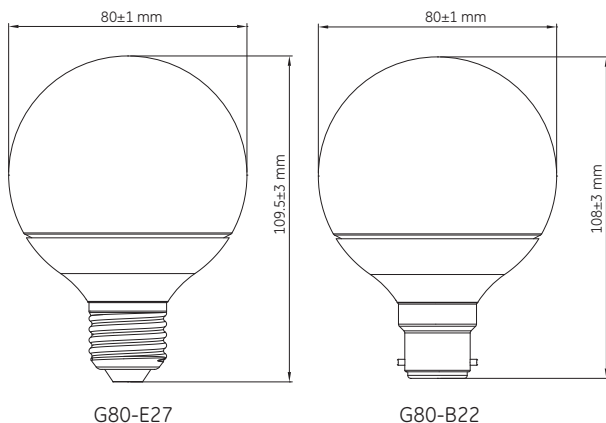
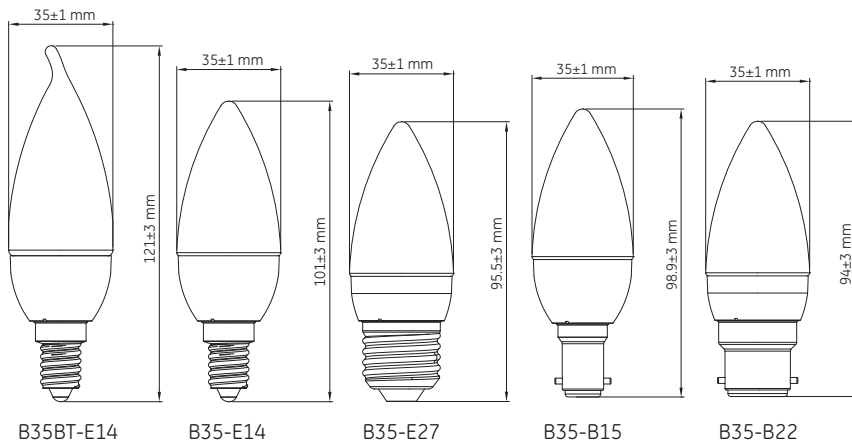
## LED Decor lamps have the following common features

- “A+” Energy Class
- 220-240V
- Colour temperature: 2700K
- Colour rendering index: 80+
- Minimum switching cycle of 20000
- Warm up time: instant on
- Power factor: 0.6

## Specification summary

Product Description	Shape	Finish	Base	Rated power (W)	Total lumen (lm)	CCT (K)	Life hours L70/B10	Efficiency (lm/W)	CRI	Energy consumption [kWh/1000h]	Pack Qty	Product Code
LED4.5D/B35/827/E27/220-240V/FR	Candle	White	E27	4.5	270	2700	20,000	55	80	4.50	1/10	98204
LED4.5D/B35/827/E27/220-240V/CL	Candle	Clear	E27	4.5	270	2700	20,000	55	80	4.50	1/10	98205
LED4.5D/B35/827/E14/220-240V/FR	Candle	White	E14	4.5	270	2700	20,000	55	80	4.50	1/10	98207
LED4.5D/B35/827/E14/220-240V/CL	Candle	Clear	E14	4.5	270	2700	20,000	55	80	4.50	1/10	98208
LED4.5D/B35/827/B22/220-240V/FR	Candle	White	B22	4.5	270	2700	20,000	55	80	4.50	1/10	98213
LED4.5D/B35/827/B22/220-240V/CL	Candle	Clear	B22	4.5	270	2700	20,000	55	80	4.50	1/10	98215
LED4.5D/B35/827/B15/220-240V/CL	Candle	Clear	B15	4.5	270	2700	20,000	55	80	4.50	1/10	99596
LED4.5D/B35BT/827/E14/220-240V/FR	Bent tip candle	White	E14	4.5	270	2700	20,000	55	80	4.50	1/6	98217
LED4.5D/P45/827/E27/220-240V/FR	Spherical	White	E27	4.5	270	2700	20,000	55	80	4.50	1/6	98221
LED4.5D/P45/827/E27/220-240V/CL	Spherical	Clear	E27	4.5	270	2700	20,000	55	80	4.50	1/6	10087
LED4.5D/P45/827/E14/220-240V/FR	Spherical	White	E14	4.5	270	2700	20,000	55	80	4.50	1/6	98222
LED4.5D/P45/827/E14/220-240V/CL	Spherical	Clear	E14	4.5	270	2700	20,000	55	80	4.50	1/6	10110
LED4.5D/P45/827/B22/220-240V/FR	Spherical	White	B22	4.5	270	2700	20,000	55	80	4.50	1/6	98224
LED4.5D/G80/827/E27/220-240V/FR	Globe	White	E27	4.5	270	2700	20,000	55	80	4.50	1/6	98225
LED4.5D/G80/827/B22/220-240V/FR	Globe	White	B22	4.5	270	2700	20,000	55	80	4.50	1/6	98226

## Dimensions



## Lumen maintenance at rated life

>70% lumen maintenance by 90% of lamps at 20,000 hours

## Operation and maintenance

- Store and use the lamps the same way as traditional incandescent lamps.
- Observe wattage limitations of your fixture.
- Lamps should be kept free from contamination.
- Good condition of the lampholder contacts is important to ensure proper operation of lamp.
- Ensure lamp is cool before removing.
- Do not use the lamp if the bulb is broken, even if the LEDs still operate. There is a risk of electric shock.
- Switch off mains supply before installing/removing lamp.
- 4.5W LED Decorative lamps are dimmable on most leading and trailing edge dimmers.
- Ambient temperature range -10° C to 40°C

## Dimmer compatibility

For selecting the proper dimmers to our lamps, please visit website: [www.gelighting.com/eu](http://www.gelighting.com/eu)