

LED Eco Downlight



Product information

GE Lighting introduces the new standard range of LED ECO Downlighters. There are a selection of sizes and colour temperature options to meet customer requirements. With this new range lighting can be upgraded in key segments such as office, commercial buildings, retail backoffice, hospitality.

Benefits

- Direct replacement for compact fluorescent lamp downlights
- Over 55%+ energy saving compared to luminaires that use CFL PL lamps
- Affordable solution for retrofit or new installations
- Reduced replacement and maintenance costs
- Easy installation with fast connection
- Healthy – UV-free & IR-free

Features

- High efficiency: up to 100lm/w
- 45 000 hours lifetime (L70)
- Nominal Voltage: 220-240V
- Operating frequency: 50-60Hz
- 3 colour temperatures: 3000, 4000 and 6500K
- Colour rendering index CRI 80+
- Beam angle 95+/-12°
- Operation temperature: -20°C to 40°C
- Luminaire storage: -40°C to 60°C

Fixture structure

- Integrated polycarbonate reflector and white aluminum housing for good heat dissipation
- 1 to 2,5 mm² hard wire for easy connection
- Wire spring leaf for secure installation
- Tested for glow wire at 650°C

Application areas



Retail



Hospitality



Office

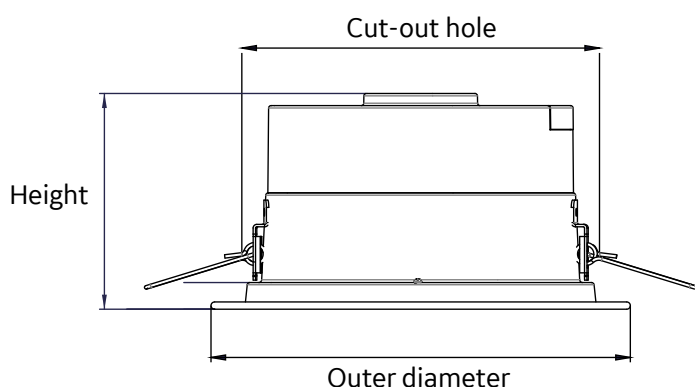
- Stairways
- Corridors
- General illumination



Specification summary

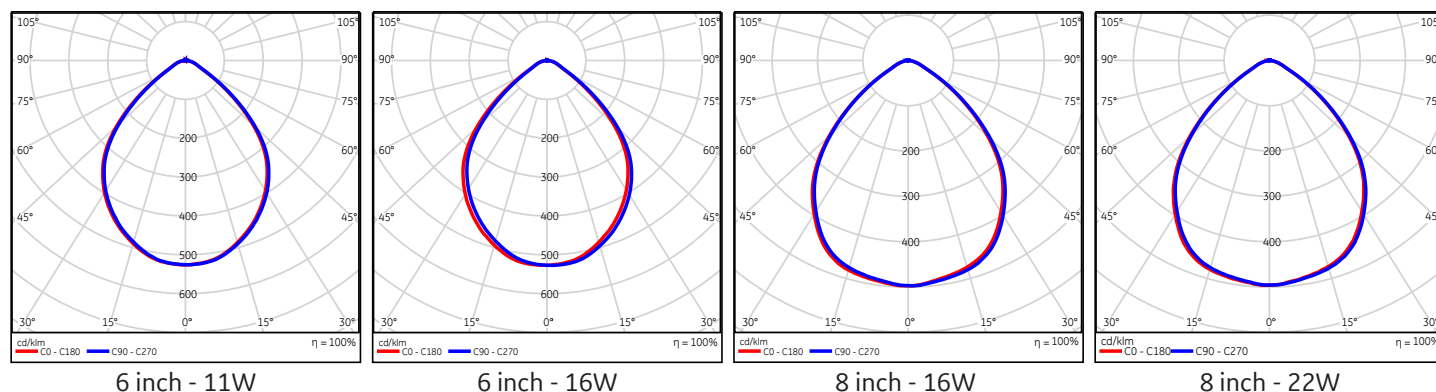
Product Code	Description	Wattage (W)	Lumen (lm)	Efficiency (lm/W)	Nominal Current (mA)	Power Factor	THD	CCT (K)	Rated life (h) (L70)	IP	Energy Class	Replacement for CFL Plug-in	Installation mode	Dimmable
93053257	DM6L2SP30/C G3	11	1045	95	60	0,9	<30%	3000	45 000	20	A+	2x13W / 1x18W / 1x26W	Recessed	No
93053258	DM6L2SP40/C G3	11	1100	100	60	0,9	<30%	4000	45 000	20	A+		Recessed	No
93053259	DM6L2SP65/C G3	11	1100	100	60	0,9	<30%	6500	45 000	20	A+		Recessed	No
93053260	DM6L4SP30/C G3	16	1520	95	90	0,9	<30%	3000	45 000	20	A+	2x18W / 1x32W	Recessed	No
93053261	DM6L4SP40/C G3	16	1600	100	90	0,9	<30%	4000	45 000	20	A+		Recessed	No
93053262	DM6L4SP65/C G3	16	1600	100	90	0,9	<30%	6500	45 000	20	A+		Recessed	No
93053263	DM8L1SP30/C G3	16	1520	95	90	0,9	<30%	3000	45 000	20	A+	2x18W / 1x32W	Recessed	No
93053264	DM8L1SP40/C G3	16	1600	100	90	0,9	<30%	4000	45 000	20	A+		Recessed	No
93053265	DM8L1SP65/C G3	16	1600	100	90	0,9	<30%	6500	45 000	20	A+		Recessed	No
93053266	DM8L2SP30/C G3	22	2090	95	110	0,9	<30%	3000	45 000	20	A+	2x26W	Recessed	No
93053267	DM8L2SP40/C G3	22	2200	100	110	0,9	<30%	4000	45 000	20	A+		Recessed	No
93053268	DM8L2SP65/C G3	22	2200	100	110	0,9	<30%	6500	45 000	20	A+		Recessed	No

Dimensions



Size	Outer Diameter (mm)	Height (mm)	Cut-out hole (mm)	Weight (g)
6"/148 mm	173	89	150± 2	300
8"/200 mm	221	103	200± 2	500

Photometric data



Photometry is based on LM79

Ordering information

Product ID	Size-Wattage	Trim surface finish	Reflector surface finish	CCT	Connector	Generation
DM: Downlight, modified hemisphere	6L2: 6", 11W 6L4: 6", 16W 8L1: 8", 16W 8L2: 8", 22W	S: Standard (white painting)	P: White painting	30: 3000K 40: 4000K 65: 6500K	C: with connector	G3: Gen3

Example:

DM6L2SP30/C G3 - 3rd Gen GE LED Eco Downlight, 6" 11W, standard white painting trim, white reflector, 3000K, with connector

www.gelighting.com

and General Electric are both registered trademarks of the General Electric Company

GE Lighting is constantly developing and improving its products. For this reason, all product descriptions in this brochure are intended as a general guide, and we may change specifications time to time in the interest of product development, without prior notification or public announcement. All descriptions in this publication present only general particulars of the goods to which they refer and shall not form part of any contract. Data in this guide has been obtained in controlled experimental conditions. However, GE Lighting cannot accept any liability arising from the reliance on such data to the extent permitted by law.

LED Eco Downlight Data Sheet - May 2017