

# IMMERSION™

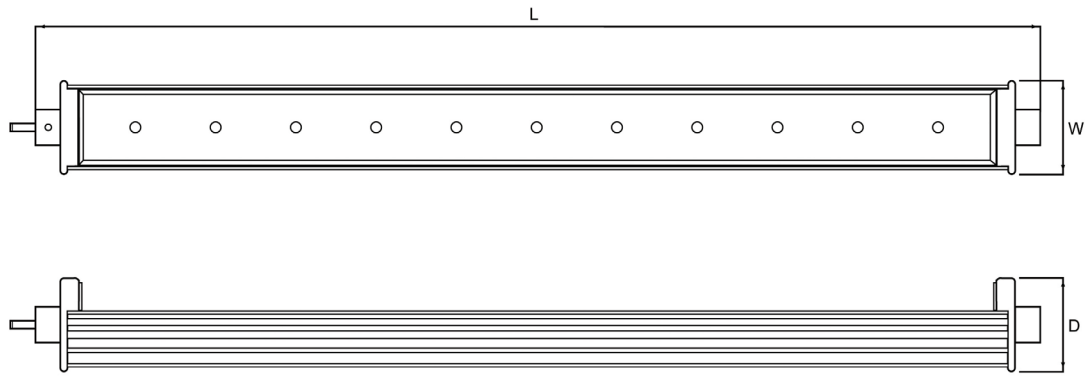
## LED Refrigerated Display Lighting

Open Deck Cases  
RH30 Series

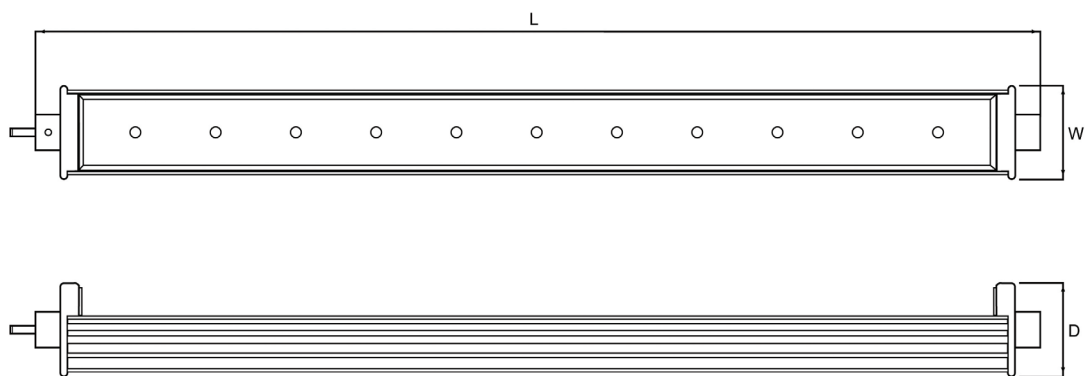


imagination at work

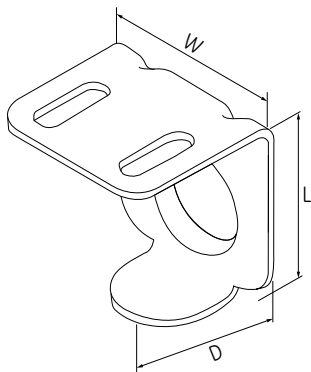
## Canopy LED Light



## Undershelf LED Light



## Accessories



Mounting Clip



LED Driver

## Mounting Clips

PERFORMANCE DATA			DIMENSIONAL DATA		
Product Code	Description	Item	Length (L)	Width (W)	Depth (D)
69721	GEMT3000NCM1-SY	Universal Mounting Clip - L	(in)	1.024	1.18
69723	GEMT3000NCM1-SB		(mm)	26	29.9

# Immersion RH30 Standard Series

PRODUCT INFO					PERFORMANCE DATA							DIMENSIONAL DATA				
Product Code	Description	Package Quantity	Item	Color Temp (K)**	Light Output (Lumens)*	LPW	Lumens per Foot	Life (Hours)	CRI (Min)	Power (Watts)*	Length (L)	Width (W)	Depth (D)			
5000K	69644	48" Canopy	1	GEMT304850CAN-SY	5000	1440	67	360	50,000	80	21.5	(in)	45.0	1.3	0.9	
	69645		10	GEMT304850CAN-SB								(mm)	1144.0	33.7	23.2	
	69650	48" Undershef	1	GEMT304850USL-SY	5000	500	70	125	50,000	80	7.1	(in)	45.0	1.3	0.9	
	69651		10	GEMT304850USL-SB								(mm)	1144.0	33.7	23.2	
	69642	36" Canopy	1	GEMT303650CAN-SY	5000	1078	68	359	50,000	80	15.9	(in)	34.4	1.3	0.9	
	69643		10	GEMT303650CAN-SB								(mm)	874.0	33.7	23.2	
	69648	36" Undershef	1	GEMT303650USL-SY	5000	371	69	124	50,000	80	5.4	(in)	34.4	1.3	0.9	
	69649		10	GEMT303650USL-SB								(mm)	874.0	33.7	23.2	
	69640	24" Canopy	1	GEMT302450CAN-SY	5000	737	71	369	50,000	80	10.4	(in)	23.8	1.3	0.9	
	69641		10	GEMT302450CAN-SB								(mm)	604.0	33.7	23.2	
	69646	24" Undershef	1	GEMT302450USL-SY	5000	245	68	123	50,000	80	3.6	(in)	23.8	1.3	0.9	
	69647		10	GEMT302450USL-SB								(mm)	604.0	33.7	23.2	
	4000K	69662	48" Canopy	1	GEMT304840CAN-SY	4000	1400	65	350	50,000	80	21.5	(in)	45.0	1.3	0.9
		69663		10	GEMT304840CAN-SB								(mm)	1144.0	33.7	23.2
69668		48" Undershef	1	GEMT304840USL-SY	4000	560	79	140	50,000	80	7.1	(in)	45.0	1.3	0.9	
69669			10	GEMT304840USL-SB								(mm)	1144.0	33.7	23.2	
69660		36" Canopy	1	GEMT303640CAN-SY	4000	1020	64	340	50,000	80	15.9	(in)	34.4	1.3	0.9	
69661			10	GEMT303640CAN-SB								(mm)	874.0	33.7	23.2	
69666		36" Undershef	1	GEMT303640USL-SY	4000	420	78	140	50,000	80	5.4	(in)	34.4	1.3	0.9	
69667			10	GEMT303640USL-SB								(mm)	874.0	33.7	23.2	
69652		24" Canopy	1	GEMT302440CAN-SY	4000	773	74	387	50,000	80	10.4	(in)	23.8	1.3	0.9	
69653			10	GEMT302440CAN-SB								(mm)	604.0	33.7	23.2	
69664		24" Undershef	1	GEMT302440USL-SY	4000	240	67	120	50,000	80	3.6	(in)	23.8	1.3	0.9	
69665			10	GEMT302440USL-SB								(mm)	604.0	33.7	23.2	
3500K		69713	48" Canopy	1	GEMT304835CAN-SY	3500	1300	60	325	50,000	80	21.5	(in)	45.0	1.3	0.9
		69714		10	GEMT304835CAN-SB								(mm)	1144.0	33.7	23.2
	69719	48" Undershef	1	GEMT304835USL-SY	3500	515	73	129	50,000	80	7.1	(in)	45.0	1.3	0.9	
	69720		10	GEMT304835USL-SB								(mm)	1144.0	33.7	23.2	
	69711	36" Canopy	1	GEMT303635CAN-SY	3500	960	60	320	50,000	80	15.9	(in)	34.4	1.3	0.9	
	69712		10	GEMT303635CAN-SB								(mm)	874.0	33.7	23.2	
	69717	36" Undershef	1	GEMT303635USL-SY	3500	385	71	128	50,000	80	5.4	(in)	34.4	1.3	0.9	
	69718		10	GEMT303635USL-SB								(mm)	874.0	33.7	23.2	
	69709	24" Canopy	1	GEMT302435CAN-SY	3500	738	71	369	50,000	80	10.4	(in)	23.8	1.3	0.9	
	69710		10	GEMT302435CAN-SB								(mm)	604.0	33.7	23.2	
	69715	24" Undershef	1	GEMT302435USL-SY	3500	250	69	125	50,000	80	3.6	(in)	23.8	1.3	0.9	
	69716		10	GEMT302435USL-SB								(mm)	604.0	33.7	23.2	

\*Lumens and DC watts based on typical in-store installed conditions. \*\*Color temp, lumens, LPW, and watts +/-10%.

## Immersion RH30 Standard Series

PRODUCT INFO					PERFORMANCE DATA							DIMENSIONAL DATA			
Product Code	Description	Package Quantity	Item	Color Temp (K)**	Light Output (Lumens)*	LPW	Lumens per Foot	Life (Hours)	CRI (Min)	Power (Watts)*	Length (L)	Width (W)	Depth (D)		
3000K	69687	48" Canopy	1	GEMT304830CAN-SY	3000	1200	56	300	50,000	80	21.5	(in)	45.0	1.3	0.9
	69688		10	GEMT304830CAN-SB								(mm)	1144.0	33.7	23.2
	69695	48" Undershelf	1	GEMT304830USL-SY	3000	450	63	113	50,000	80	7.1	(in)	45.0	1.3	0.9
	69696		10	GEMT304830USL-SB								(mm)	1144.0	33.7	23.2
	69685	36" Canopy	1	GEMT303630CAN-SY	3000	900	57	300	50,000	80	15.9	(in)	34.4	1.3	0.9
	69686		10	GEMT303630CAN-SB								(mm)	874.0	33.7	23.2
	69691	36" Undershelf	1	GEMT303630USL-SY	3000	350	65	117	50,000	80	5.4	(in)	34.4	1.3	0.9
	69694		10	GEMT303630USL-SB								(mm)	874.0	33.7	23.2
	69682	24" Canopy	1	GEMT302430CAN-SY	3000	600	58	300	50,000	80	10.4	(in)	23.8	1.3	0.9
	69684		10	GEMT302430CAN-SB								(mm)	604.0	33.7	23.2
	69689	24" Undershelf	1	GEMT302430USL-SY	3000	150	42	75	50,000	80	3.6	(in)	23.8	1.3	0.9
	69690		10	GEMT302430USL-SB								(mm)	604.0	33.7	23.2

\*Lumens and DC watts based on typical in-store installed conditions. \*\*Color temp, lumens, LPW, and watts +/-10%.

## Immersion RH30 Premium Series

PRODUCT INFO					PERFORMANCE DATA							DIMENSIONAL DATA			
Product Code	Description	Package Quantity	Item	Color Temp (K)**	Light Output (Lumens)*	LPW	Lumens per Foot	Life (Hours)	CRI (Min)	Power (Watts)*	Length (L)	Width (W)	Depth (D)		
4000K	69674	48" Canopy	1	GEMT304850CAN-SY	4000	937	44	234	50,000	75	21.5	(in)	45.7	1.3	0.9
	69675		10	GEMT304850CAN-SB								(mm)	1160.0	33.7	23.2
	69680	48" Undershelf	1	GEMT304850USL-SY	4000	357	50	89	50,000	75	7.1	(in)	45.7	1.3	0.9
	69681		10	GEMT304850USL-SB								(mm)	1160.0	33.7	23.2
	69672	36" Canopy	1	GEMT303650CAN-SY	4000	730	46	243	50,000	75	15.9	(in)	35.0	1.3	0.9
	69673		10	GEMT303650CAN-SB								(mm)	890.0	33.7	23.2
	69678	36" Undershelf	1	GEMT303650USL-SY	4000	274	51	91	50,000	75	5.4	(in)	35.0	1.3	0.9
	69679		10	GEMT303650USL-SB								(mm)	890.0	33.7	23.2
	69670	24" Canopy	1	GEMT302450CAN-SY	4000	481	46	160	50,000	75	10.4	(in)	23.8	1.3	0.9
	69671		10	GEMT302450CAN-SB								(mm)	604.0	33.7	23.2
	69676	24" Undershelf	1	GEMT302450USL-SY	4000	181	50	60	50,000	75	3.6	(in)	23.8	1.3	0.9
	69677		10	GEMT302450USL-SB								(mm)	604.0	33.7	23.2
3000K	69701	48" Canopy	1	GEMT314830CAN-SY	3000	812	38	203	50,000	72	21.5	(in)	45.7	1.3	0.9
	69702		10	GEMT314830CAN-SB								(mm)	1160.0	33.7	23.2
	69707	48" Undershelf	1	GEMT314830USL-SY	3000	320	45	80	50,000	72	7.1	(in)	45.7	1.3	0.9
	69708		10	GEMT314830USL-SB								(mm)	1160.0	33.7	23.2
	69699	36" Canopy	1	GEMT313630CAN-SY	3000	630	40	158	50,000	72	15.9	(in)	35.0	1.3	0.9
	69700		10	GEMT313630CAN-SB								(mm)	890.0	33.7	23.2
	69705	36" Undershelf	1	GEMT313630USL-SY	3000	242	45	61	50,000	72	5.4	(in)	35.0	1.3	0.9
	69706		10	GEMT313630USL-SB								(mm)	890.0	33.7	23.2
	69697	24" Canopy	1	GEMT312430CAN-SY	3000	427	41	142	50,000	72	10.4	(in)	23.8	1.3	0.9
	69698		10	GEMT312430CAN-SB								(mm)	604.0	33.7	23.2
	69703	24" Undershelf	1	GEMT312430USL-SY	3000	160	44	53	50,000	72	3.6	(in)	23.8	1.3	0.9
	69704		10	GEMT312430USL-SB								(mm)	604.0	33.7	23.2

\*Lumens and DC watts based on typical in-store installed conditions. \*\*Color temp, lumens, LPW, and watts +/-10%.

# LED Drivers

PERFORMANCE DATA			DIMENSIONAL DATA			
Product Code	Description	Item		Length (L)	Width (W)	Depth (D)
68593	GEPS6000NCMUL-SY	100W LED Driver	(in)	10.75	1.65	1.1
			(mm)	273	42	28
68595	GEPS6500NCMUL-SY	50W LED Driver	(in)	10.75	1.65	1.1
			(mm)	273	42	28
67825	GEPS100UGL-IP24VDC	100W LED Driver	(in)	9.5	1.7	1.2
			(mm)	241	43.2	30.5

## LED Driver Performance Data

	68595 GEPS6500NCMUL-SY			68593 GEPS6000NCMUL-SY			67825 GEPS100UGL-IP24VDC		
	Min	Typical	Max	Min	Typical	Max	Min	Typical	Max
Input Voltage (VAC)	90		264	90		264	108		305
Input Current (A)			1			1.5			1.1
Input Line Frequency (Hz)	50		60	50		60	50		60
Output Voltage (V)	22.8	24	25.2	22.8	24	25.2	23	24	25
Output Power (W)			50			100			96
Max Output Current (A)			2.08			4.1			4.0
Operating Temperature Range (°C)	-20		50	-20		50	-40		55
Storage Temperature Range (°C)	-40		70	-40		70	-40		85

Conforms to the following standards:



This device complies with Part 15 of the FCC Rules. Operation is subject to the following two conditions: (1) this device may not cause harmful interference, and (2) this device must accept any interference received, including interference that may cause undesired operation.

This Class [A] RFLD complies with the Canadian standard ICES-003. Ce DEFR de la classe [A] est conforme à la NMB-003 du Canada.

NOTE: This equipment has been tested and found to comply with the limits for a Class A digital device, pursuant to part 15 of the FCC Rules. These limits are designed to provide reasonable protection against harmful interference when the equipment is operated in a commercial environment. This equipment generates, uses, and can radiate radio frequency energy and, if not installed and used in accordance with the instruction manual, may cause harmful interference to radio communications. Operation of this equipment in a residential area is likely to cause harmful interference in which case the user will be required to correct the interference at his own expense.

This product is intended solely for the use of commercial refrigerated, display or case lighting and is not intended for use in any other application.



GE Lighting

[www.gelighting.com/eu](http://www.gelighting.com/eu)

GE Lighting is a subsidiary of the General Electric Company. Immersion is a trademark of GE Lighting. The GE brand and logo are trademarks of the General Electric Company. © 2013 GE Lighting. Information provided is subject to change without notice. All values are design or typical values when measured under laboratory conditions.