



# Lumination™ LW Series

## LED Linear Wall Washer System

### Product information

GE LED Wall Washer provides uniform light and draws attention to a large area & emphasizes textures on vertical surfaces.

The GE LED Wall Washer is available with different optics to enhance the architectural design of three specific applications.

#### Cove Lighting

Evenly distributes light over the ceiling and the upper part of walls & ceiling. Typically mounted in a cove recess.

#### Wall Washing

Uniformly light vertical surfaces and hides imperfections on flat surfaces. These fixtures are typically mounted in a recess about a meter from the wall.

#### Wall Grazing

Heighten the architectural character of a space by highlighting and accenting textured surfaces. These fixtures are typically mounted less than 30cm from the wall in a slot or recess.

### Features and benefits

- Precise use of light output and eliminates socket shadows that is common when using fluorescent fixtures
- 0-10V dimmable (as low as 10%)
- Consistent color with 3-step MacAdam ellipse color binning
- Available in a variety of optics to optimize architectural designs
- IP20, dry or damp location rated

### Easy installation

- Field-adjustable mounting for precise fixture angle
- Connect up to 96 (240V) fixtures in series
- Universal 120-277 VAC input design

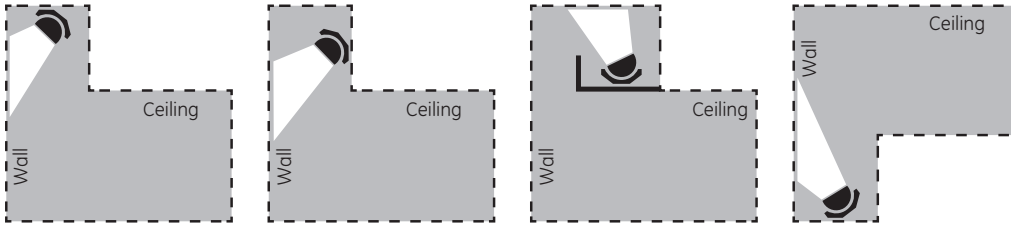
### LED technology

- L85 at 50,000 hours
- 5 year limited warranty
- No UV emissions



## Fixture mounting positions

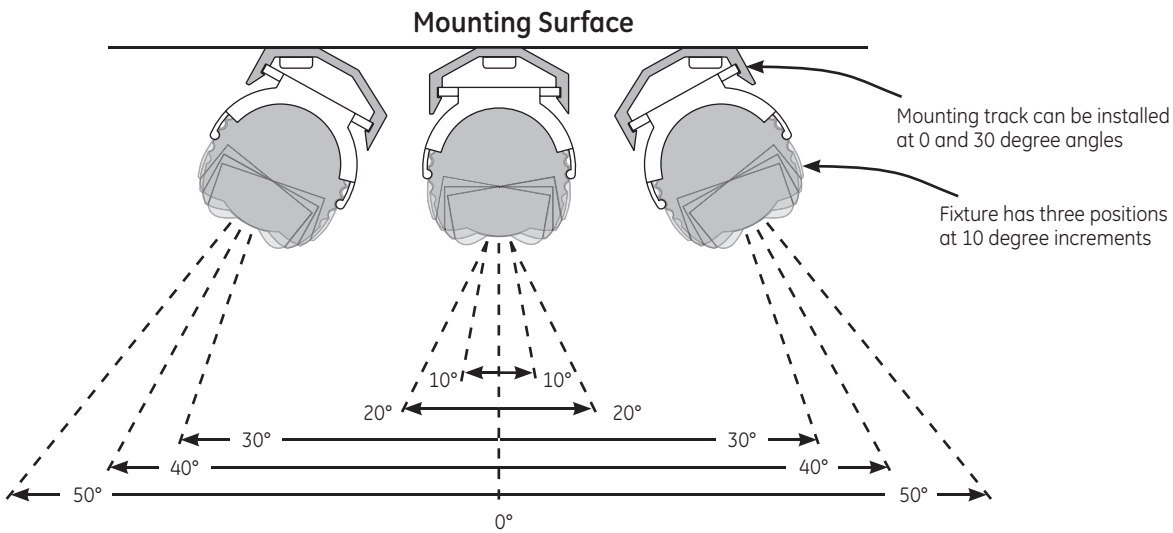
It is recommended that the LED fixtures be installed into a space no smaller than 3 in. x 3 in. (76mm x 76mm)



## Fixture rotation

Light can be directed from 0 to 50 degrees in 10 degree increments in both directions with the help of:

- 1) the rotation angle of the fixture and
- 2) the mounting edge of the fixture track.



## SKU logic

Macro	Product Family	Fixture Type	Generation	Voltage	Nominal Lumens	Distribution	CRI	CCT	Dimming	Controls	Mounting	Finish	Options
L - Indoor	LW - Linear Washer	SO - 1' Standard Output HO - 1' High Output	B - 2nd Generation	0 - 120-277V (UL Version)	04 - 400 07 - 700	CV - Cove WW - Wall Washer GZ - Wall Grazer	8 - 80 CRI	27 - 2700K 30 - 3000K 35 - 3500K 40 - 4000K	V - 0-10V	Q - none	TM - Track Mounted	WHITE - White	Blank if no options

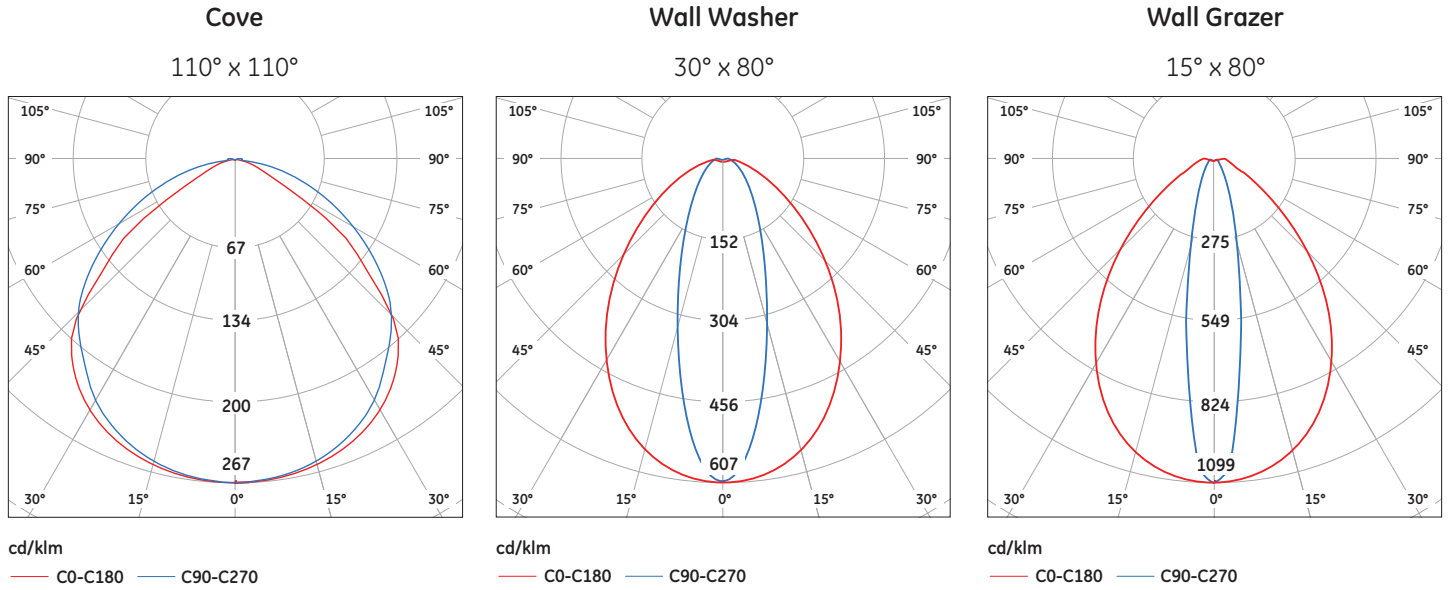
## Example: L/LW/SO/B/0/04/WW/8/30/V/Q/TM/WHITE

(12" 3000K Wall Washer, Standard Output)

For material estimations, take the length of the run in feet divided by 1.05 feet or 0.32 meters respectively to get the quantity of fixtures needed. Take the run in feet or meters divided by 4 feet or 1.2 meters to get the quantity of mounting tracks needed.

## Photometric data

Data based on High Output 3000K, additional IES files are available on [www.gelighting.com](http://www.gelighting.com).



## Candela measurements [cd]

	110°x110°		30°x80°		15°x80°	
	V	H	V	H	V	H
0°	261.6	261.6	593.3	593.3	1058.2	1058.2
10°	260.1	258.1	444.7	574.6	479.3	1028.6
20°	215.6	246.0	243.0	520.1	174.4	935.9
30°	235.1	226.5	137.2	434.7	66.1	772.5
40°	207.2	197.2	78.6	330.7	36.8	558.2
50°	143.3	162.2	49.7	224.8	27.5	343.1
60°	66.1	115.4	36.6	134.4	22.8	172.9
70°	21.3	69.9	27.1	70.2	19.2	70.3
80°	9.8	31.0	20.8	27.2	11.3	20.9
90°	4.2	6.2	19.1	4.6	7.9	3.7

## Vertical and horizontal beam width [m]

	110°x110°		30°x80°		15°x80°	
	V	H	V	H	V	H
0.15	0.39	0.46	0.09	0.29	0.05	0.27
0.30	0.78	0.93	0.18	0.57	0.10	0.54
0.46	1.18	1.39	0.27	0.86	0.15	0.80
0.61	1.57	1.85	0.37	1.14	0.20	1.07
0.76	1.96	2.32	0.46	1.43	0.24	1.34
0.91	2.35	2.78	0.55	1.71	0.29	1.61

## Center beam illuminance [lx]

110°x110°	30°x80°	15°x80°
11263.0	25544.2	45562.7
2815.7	6386.1	11390.7
1251.4	2838.2	5062.5
703.9	1596.5	2847.7
450.5	1021.8	1822.5
312.9	709.6	1265.6

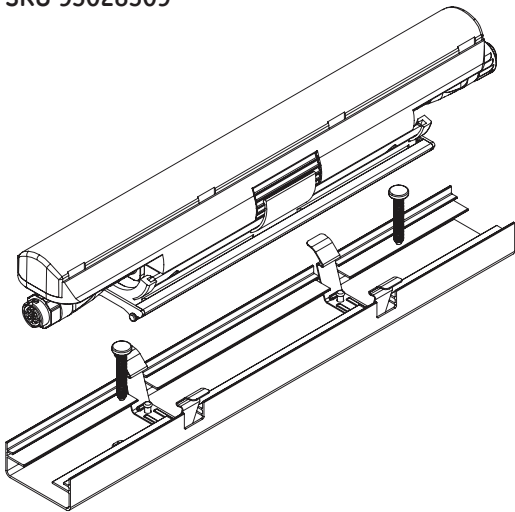
## Components

Product Code	Description	Product Description	Quantity
10902	LLWB-LC2-120	120"/3.0m Leader Cable	1/pk
10903	LLWB-JC2-12	12"/0.3m Jumper Cable	1/pk
10904	LLWB-JC2-48	48"/1.2m Jumper Cable	1/pk
65467	LWW1-MT48/0	48" (1219mm) Mounting Track	10/pk
93028321	LLWB-LC2-79	79"/2.0m Leader Cable	1/pk

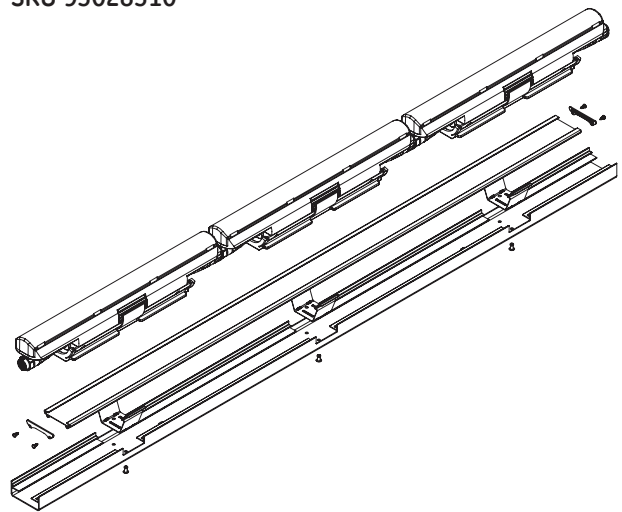
## Fixtures

Application	Product Code	Description	CCT [K]	Wattage [W]	Lens Type	Lumens per Fixture (ft/m)	Min. LPW	Maximum Run Length
Cove	10739	LLWSOB004CV827VQTMWHT	2700	5.0	110° soft	380 (367/1203)	76	For 120 VAC: 156 Fixtures (~161.7 feet/49.30m)
Cove	10740	LLWSOB004CV830VQTMWHT	3000	5.0	110° soft	420 (405/1329)	84	
Cove	10741	LLWSOB004CV835VQTMWHT	3500	5.0	110° soft	420 (405/1329)	84	
Cove	10747	LLWSOB004CV840VQTMWHT	4000	5.0	110° soft	430 (415/1361)	86	
Wall Washer	10785	LLWSOB004WW827VQTMWHT	2700	5.0	30°x80°	380 (367/1203)	76	For 240 VAC: 96 Fixtures (~99.5 feet/30.34m)
Wall Washer	10787	LLWSOB004WW830VQTMWHT	3000	5.0	30°x80°	420 (405/1329)	84	
Wall Washer	10789	LLWSOB004WW835VQTMWHT	3500	5.0	30°x80°	420 (405/1329)	84	
Wall Washer	10801	LLWSOB004WW840VQTMWHT	4000	5.0	30°x80°	430 (415/1361)	86	
Grazer	10868	LLWSOB004GZ827VQTMWHT	2700	5.0	15°x80°	380 (367/1203)	76	For 277 VAC: 340 Fixtures (~352.5 feet/107.44m)
Grazer	10869	LLWSOB004GZ830VQTMWHT	3000	5.0	15°x80°	420 (405/1329)	84	
Grazer	10888	LLWSOB004GZ835VQTMWHT	3500	5.0	15°x80°	420 (405/1329)	84	
Grazer	10889	LLWSOB004GZ840VQTMWHT	4000	5.0	15°x80°	430 (415/1361)	86	
Cove	10750	LLWHOB004CV827VQTMWHT	2700	8.0	110° soft	650 (627/2057)	81	For 120 VAC: 97 Fixtures (~62.2 feet/18.96m)
Cove	10754	LLWHOB004CV830VQTMWHT	3000	8.0	110° soft	730 (704/2310)	91	
Cove	10758	LLWHOB004CV835VQTMWHT	3500	8.0	110° soft	730 (704/2310)	91	
Cove	10763	LLWHOB004CV840VQTMWHT	4000	8.0	110° soft	750 (723/2373)	94	
Wall Washer	10861	LLWHOB004WW827VQTMWHT	2700	8.0	30°x80°	650 (627/2057)	81	For 240 VAC: 60 Fixtures (~62.2 feet/18.96m)
Wall Washer	10862	LLWHOB004WW830VQTMWHT	3000	8.0	30°x80°	730 (704/2310)	91	
Wall Washer	10864	LLWHOB004WW835VQTMWHT	3500	8.0	30°x80°	730 (704/2310)	91	
Wall Washer	10867	LLWHOB004WW840VQTMWHT	4000	8.0	30°x80°	750 (723/2373)	94	
Grazer	10892	LLWHOB004GZ827VQTMWHT	2700	8.0	15°x80°	650 (627/2057)	81	For 277 VAC: 205 Fixtures (~212.5 feet/64.78m)
Grazer	10895	LLWHOB004GZ830VQTMWHT	3000	8.0	15°x80°	730 (704/2310)	91	
Grazer	10899	LLWHOB004GZ835VQTMWHT	3500	8.0	15°x80°	730 (704/2310)	91	
Grazer	10901	LLWHOB004GZ840VQTMWHT	4000	8.0	15°x80°	750 (723/2373)	94	
Grazer	93028309	LLWHOB007GZ840VQTMWHT-1Track	4000	8.0	15°x80°	750 (723/2373)	94	For 120 VAC: 97 Fixtures (~62.2 feet/18.96m)
								For 240 VAC: 60 Fixtures (~62.2 feet/18.96m)
Grazer	93028310	LLWHOB007GZ840VQTMWHT-3Track	4000	24.0	15°x80°	2250 (723/2373)	94	For 277 VAC: 205 Fixtures (~212.5 feet/64.78m)

SKU 93028309



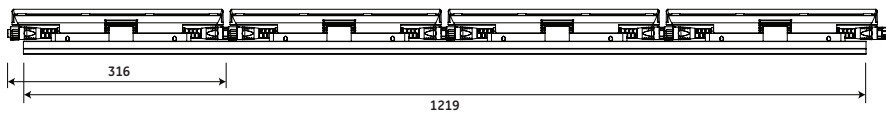
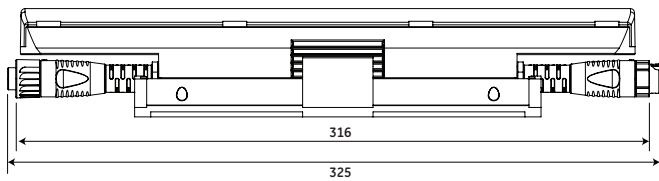
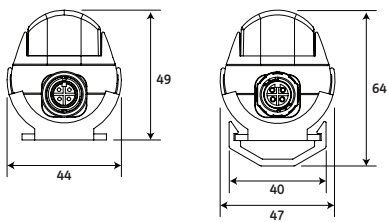
SKU 93028310



## Specifications

Input Voltage [V]	120/240/277VAC 50/60Hz
Ambient Temperature [°C]	-20° C to 40° C
Environmental Rating	IP20, dry or damp location rated
Dimming	Compatible with many 0-10V dimmers
Min. CRI	80
Fixture Weight [kg]	0.31
Warranty	5 years
Wattage	MO fixture 5.0 W/fixture (4.8 W/ft, 15.8 W/m) HO fixture 8.0 W/fixture (7.7 W/ft, 25.3 W/m)
System Certifications	CE

## Dimensions [mm]



This product is intended solely for the use of non-residential architecture lighting and is not intended for any other applications.

[www.gelighting.com](http://www.gelighting.com)

 and General Electric are both registered trademarks of the General Electric Company

GE Lighting is constantly developing and improving its products. For this reason, all product descriptions in this brochure are intended as a general guide, and we may change specifications time to time in the interest of product development, without prior notification or public announcement. All descriptions in this publication present only general particulars of the goods to which they refer and shall not form part of any contract. Data in this guide has been obtained in controlled experimental conditions. However, GE Lighting cannot accept any liability arising from the reliance on such data to the extent permitted by law.

LED Wall Washer Data Sheet – March 2016