

Duna LED



Product information

Duna LED is a decorative luminaire of truncated cone design using LED technology up to 88W with symmetrical and asymmetrical distribution.

Duna LED offers a major increase in both vertical and horizontal uniformity. Combined with the high chromatic reproduction contributed by LED technology (white light), this uniform quality facilitates face recognition and visual comfort. Its advanced optical design enables the light to be directed specifically where it is wanted.

Application: perfect combination between aesthetics and functionality, makes the luminaire ideal for efficient lighting of residential areas, parks and gardens, commercial centers, pedestrian walkways, squares, etc.

Structures and materials

Base: die cast aluminium. Pole mounting device includes a PG-13,5 cable gland for a perfect seal.

Body: die cast aluminium, with three decorative arms and two rings.

Standard color: grey Oxidon.

Upper housing: one-piece spun aluminium.

Installation: post-top mounting for 60mm diameter poles.

Electrical and gear compartment

Control gear: mounted on an removable universal tray.

Electrical disconnection: the luminaire includes a supply terminal board with electrical disconnection system once the fixture is opened.

Protection degree: isolated from the environment with a protection degree IP65.

Optics

Optical assembly: hermetically sealed providing IP65. Thanks to the advance LED optical systems the fixture provide high uniformity and improved vertical light distribution. CRI 70, CCT 4100 and 5700 Kelvin.

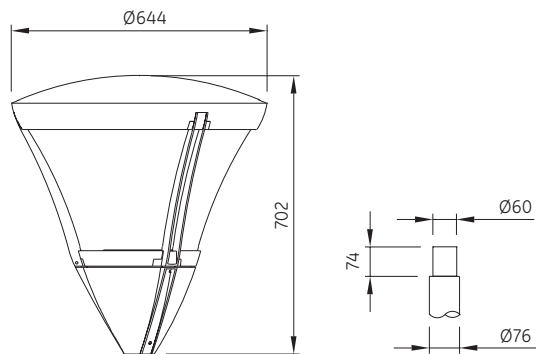
- Type III: asymmetric distribution (street type)
 - 88W system consumption
- Type IV: asymmetric distribution
 - 63W system consumption
- Type V: symmetric distribution
 - 88W system consumption

Maintenance

85% lumen maintenance at 50,000 hours.

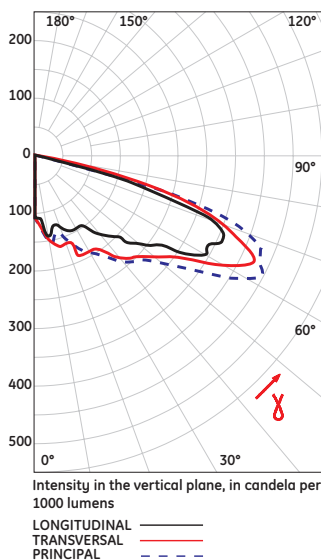


Dimensions [mm]

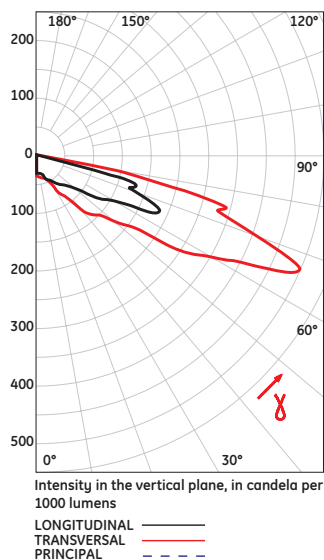


Photometric data

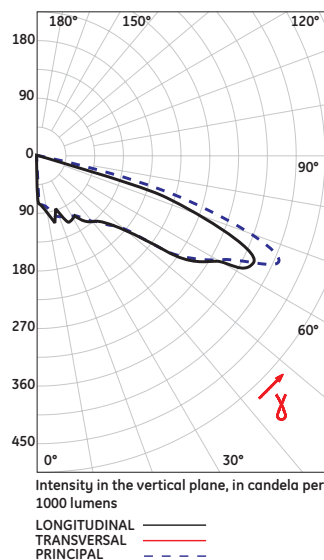
TYPE III



TYPE IV.



TYPE V



Duna LED

Description	Lighting Distribution	System Consumption [W]	Color Temperature	SAP SKU
DUNA LED SYM5/41	Type V	88	4100	524553
DUNA LED SYM5/57	Type V	88	5700	524554
DUNA LED ASY3/41	Type III	88	4100	524555
DUNA LED ASY3/57	Type III	88	5700	524556
DUNA LED ASY4/41	Type IV	63	4100	524557
DUNA LED ASY4/57	Type IV	63	5700	524558

Specifications

Dimensions [mm]	Ø644 x 702 (diameter x length)
Weight [kg]	14.00
Driver	63-88W
Reflector	asymmetric and symmetric
Protection Degree	Full IP65
Class	I.
Upper hemisphere flux [%]	0.00
Windage load [m ²]	0.183
Operating Temperature [°C]	25°C. Contact us for higher temperatures
Regulations	CEI 34.21/EN60598 -1, IEC 60