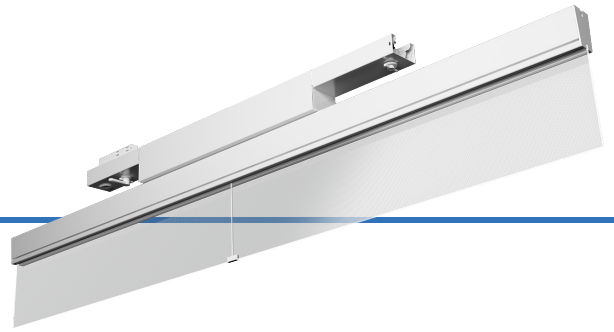


# Lumination™ LED Luminaires

## EL Series



### Product information

The launch of this unique luminaire represents the arrival of a new generation of office/retail lighting. Sleek, slim and transparent when switched off, it delivers an exceptionally bright, uniform white light both vertically and horizontally, for best-ever performance and outstanding design flexibility. This new series brings the economy and performance of LED lighting to applications once the exclusive domain of LFL, in a form that is at the same time discreet and dramatic.

### Features & benefits

#### LED vs LFL

- First true like for like LED performance vs LFL
- Linear dimming of LED – LFL is not linear – results in higher energy savings when dimmed

#### Design flexibility

- Full flexibility in store
- Available in track mounting or suspended versions, suitable for individual or continuous mounting
- 2 different lengths to suit applications
- Transparent when off – creating less visual clutter in the environment

#### Superb illumination

- Puts light primarily on to vertical surfaces, the primary selling surface of Food retailing
- Great 360 degree distribution, meaning with 'with aisle' or 'cross aisle' lighting are both available to the customer
- High lumen and low lumen versions

#### Controllable

- Digital dimming (DALI) and analogue dimming (1-10V) available as standard
- Capable of being linked to sensors and controlled in conjunction with natural light

### Applications

Perfect for applications that include conference rooms, open offices, lobbies, retail settings, anywhere you want to make a statement. Imagine what you can do with this clearly unique fixture. Its immaculate design aesthetic is unlike anything you've seen before. Main application areas include:

- Retail
- Reception areas
- Conference rooms



## Ordering Data

### EL04 – UGR <30

Product Code	Product Description	Colour Temperature [K]	Watt [W]	Lumen Output [lm]	Dimensions [mm]	Ceiling Type	Dimming Controller
68445	EL047A4CVWHT CE 27K	2700	71	5800	34x1219x175	Cable Suspended	0-10V
68442	EL047A1CVWHT CE 30K	3000	71	6000			0-10V
68443	EL047A2CVWHT CE 35K	3500	71	6200			0-10V
68444	EL047A3CVWHT CE 40K	4000	71	6400			0-10V
68449	EL047A4CDWHT CE 27K	2700	71	5800			DALI
68446	EL047A1CDWHT CE 30K	3000	71	6000			DALI
68447	EL047A2CDWHT CE 35K	3500	71	6200			DALI
68448	EL047A3CDWHT CE 40K	4000	71	6400			DALI
69432	EL047A4GVWHT CE 27K	2700	71	5800	55x1219x175	0-10V	
69429	EL047A1GVWHT CE 30K	3000	71	6000		0-10V	
69430	EL047A2GVWHT CE 35K	3500	71	6200		0-10V	
69431	EL047A3GVWHT CE 40K	4000	71	6400		0-10V	
69436	EL047A4GDWHT CE 27K	2700	71	5800		DALI	
69433	EL047A1GDWHT CE 30K	3000	71	6000		DALI	
69434	EL047A2GDWHT CE 35K	3500	71	6200		DALI	
69435	EL047A3GDWHT CE 40K	4000	71	6400		DALI	
68453	EL047A4VWVWHT CE 27K	2700	71	5800	51x1219x233	0-10V	
68450	EL047A1VWVWHT CE 30K	3000	71	6000		0-10V	
68451	EL047A2VWVWHT CE 35K	3500	71	6200		0-10V	
68452	EL047A3VWVWHT CE 40K	4000	71	6400		0-10V	
68457	EL047A4WDWHT CE 27K	2700	71	5800		DALI	
68454	EL047A1WDWHT CE 30K	3000	71	6000		DALI	
68455	EL047A2WDWHT CE 35K	3500	71	6200		DALI	
98790	EL047A3WDWHT CE 40K	4000	71	6400		DALI	

### EL06 – UGR <30

Product Code	Product Description	Colour Temperature [K]	Watt [W]	Lumen Output [lm]	Dimensions [mm]	Ceiling Type	Dimming Controller
68325	EL067A4CVWHT CE 27K	2700	104	8700	34x1829x175	Cable Suspended	0-10V
68322	EL067A1CVWHT CE 30K	3000	104	9000			0-10V
68323	EL067A2CVWHT CE 35K	3500	104	9300			0-10V
68324	EL067A3CVWHT CE 40K	4000	104	9600			0-10V
68329	EL067A4CDWHT CE 27K	2700	104	8700			DALI
68326	EL067A1CDWHT CE 30K	3000	104	9000			DALI
68327	EL067A2CDWHT CE 35K	3500	104	9300			DALI
68328	EL067A3CDWHT CE 40K	4000	104	9600			DALI
69448	EL067A4GVWHT CE 27K	2700	104	8700	55x1829x175	0-10V	
69445	EL067A1GVWHT CE 30K	3000	104	9000		0-10V	
69446	EL067A2GVWHT CE 35K	3500	104	9300		0-10V	
69447	EL067A3GVWHT CE 40K	4000	104	9600		0-10V	
69452	EL067A4GDWHT CE 27K	2700	104	8700		DALI	
69449	EL067A1GDWHT CE 30K	3000	104	9000		DALI	
69450	EL067A2GDWHT CE 35K	3500	104	9300		DALI	
69451	EL067A3GDWHT CE 40K	4000	104	9600		DALI	
68333	EL067A4VWVWHT CE 27K	2700	104	8700	51x1829x233	0-10V	
68330	EL067A1VWVWHT CE 30K	3000	104	9000		0-10V	
68331	EL067A2VWVWHT CE 35K	3500	104	9300		0-10V	
68332	EL067A3VWVWHT CE 40K	4000	104	9600		0-10V	
68337	EL067A4WDWHT CE 27K	2700	104	8700		DALI	
68334	EL067A1WDWHT CE 30K	3000	104	9000		DALI	
68335	EL067A2WDWHT CE 35K	3500	104	9300		DALI	
98779	EL067A3WDWHT CE 40K	4000	104	9600		DALI	

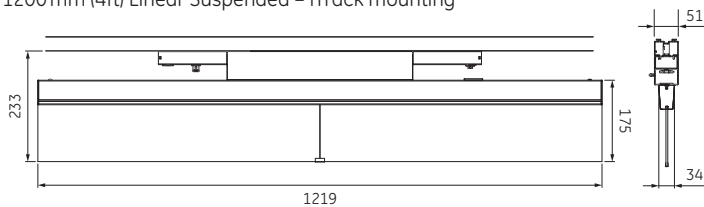
## Specifications

	EL04	EL06
Input Voltage [V]	220-240	220-240
Input Power [W]	71	104
Input Frequency [Hz]	50/60	50/60
Power Factor	>0.88	>0.9
Lumen Output [lm]	5800 (2700K) / 6000 (3000K) 6200 (3500K) / 6400 (4000K)	8700 (2700K) / 9000 (3000K) 9300 (3500K) / 9600 (4000K)
CCT [K]	2700/3000/3500/4000	2700/3000/3500/4000
CRI	82, min. 80	82, min. 80
Efficiency [lm/W]	82 (2700K) / 85 (3000K) 87 (3500K) / 90 (4000K)	84 (2700K) / 86 (3000K) 89 (3500K) / 92 (4000K)
Control	1-10V or DALI	1-10V or DALI
Ceilings	iTrack/Cable Suspended/Surface mount	iTrack/Cable Suspended/Surface mount
Life [L%, h]	50,000 [L85]	50,000 [L85]
Warranty [years]	5	5
Files Available	LM79, LM80, TM21 & IES	LM79, LM80, TM21 & IES
Dimensions [mm] (iTrack)	51x1219x233	51x1829x233
Weight [kg] (iTrack)	4.7	6.5
Dimensions [mm] (Suspension)	34x1219x175	34x1829x175
Weight [kg] (Suspension)	2.8	4.6
Dimensions [mm] (Surface)	55x1219x175	55x1829x175
Weight [kg] (Surface)	6.7	8.5
Humidity	20 to 80% non-condensing, dry locations only	20 to 80% non-condensing, dry locations only
Operating Temperature Range [°C]	-10 to 40	-10 to 40
Storage Temperature Range [°C]	-40 to 70	-40 to 70
UGR	<30	<30
IP Rating	IP30	IP30

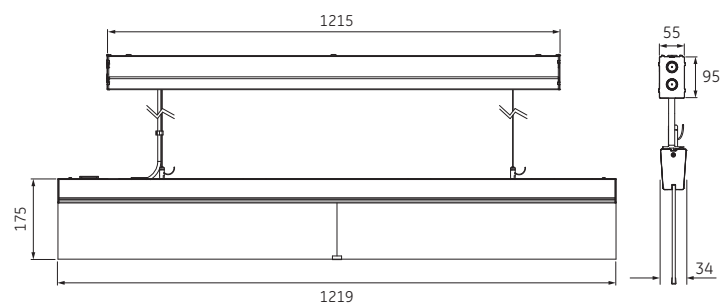
## Dimensions [mm]

### EL04

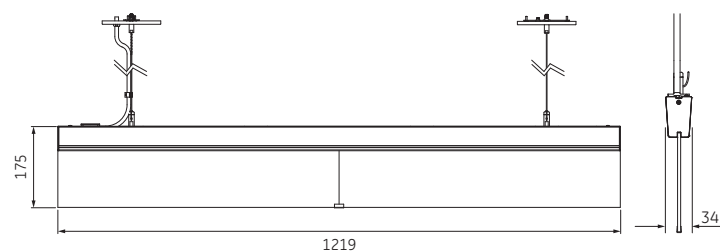
1200 mm (4ft) Linear Suspended – iTrack mounting



1200 mm (4ft) Linear Suspended – surface mounted



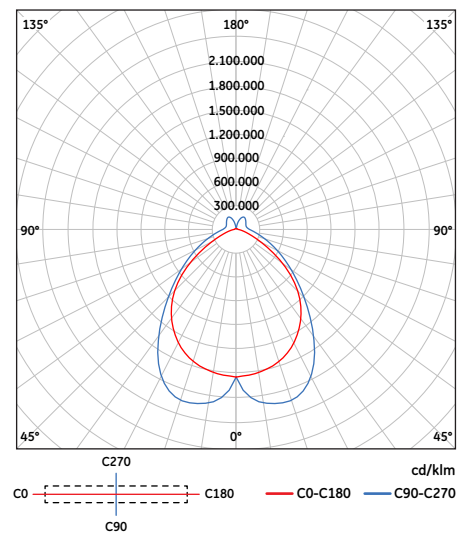
1200 mm (4ft) Linear Suspended – remote driver



## Polar Distribution

### EL04

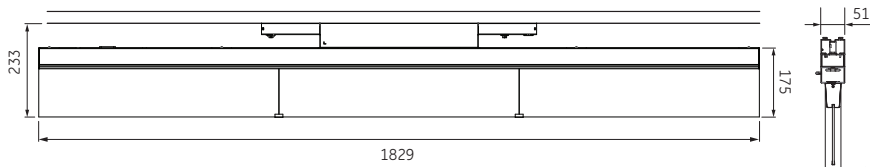
1200 mm (4ft) – 4000K



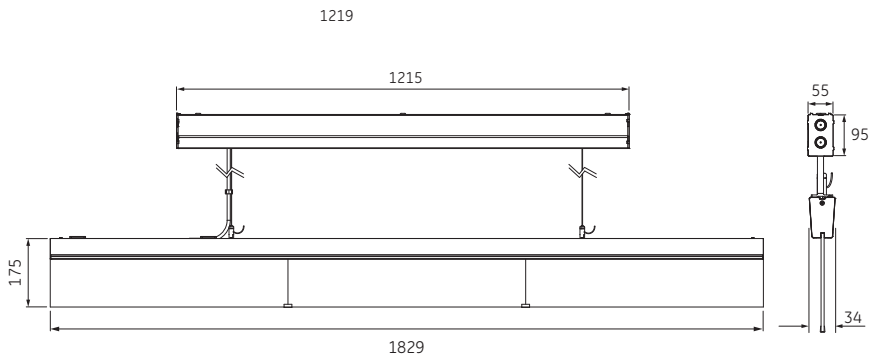
## Dimensions [mm]

### EL06

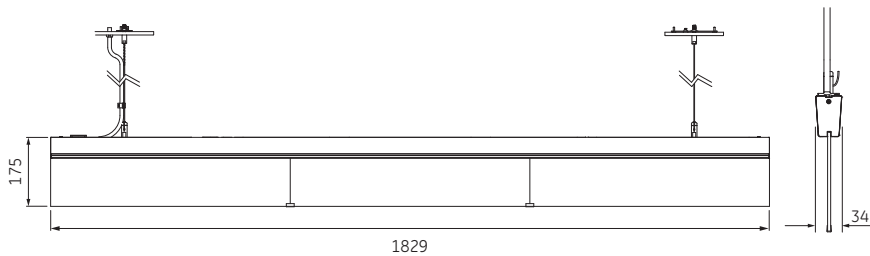
1800 mm (6ft) Linear Suspended – iTrack mounting



1800 mm (6ft) Linear Suspended – surface mounted



1800 mm (6ft) Linear Suspended – remote driver



## Polar Distribution

### EL06

1800 mm (6ft) – 4000K

