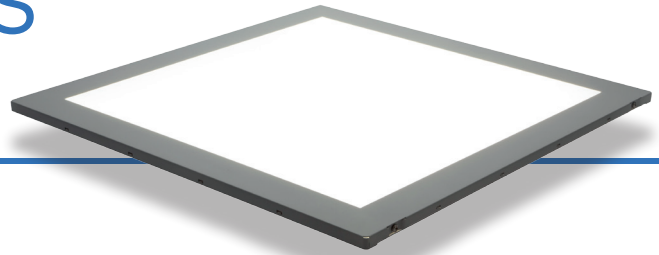


Lumination™ LED Luminaires

Recessed 600mm x 600mm

DATA SHEET



Product information

GE Lumination™ LED Luminaires transform ambient lighting into an exquisite balance of refined appearance and superior efficiency. When illuminated, the panels deliver exceptional uniform light to the space and while off they appear completely free of a visible light source.

Features & Benefits

LED technology

- Long life
- Energy efficient (74 lm/W delivered at 4000K)
- No pollution for the environment
- Fully dimmable as standard (1-10V or DALI)
- RoHS compliant

Uniform illuminated surface

- No visible diodes or glare, just a soft even field of light
- Superior Performance
- Broad uniform light distribution, reducing the number of luminaires needed to light a space

Slim profile

- Can be used in ceilings with limited space

Long life (50,000 hours at L85)

- Reduces the need for frequent lamp changes

Durable

- Resistant to vibration and impact

Instant start with full power

- Advantage for use with sensors, no negative impact on the light source

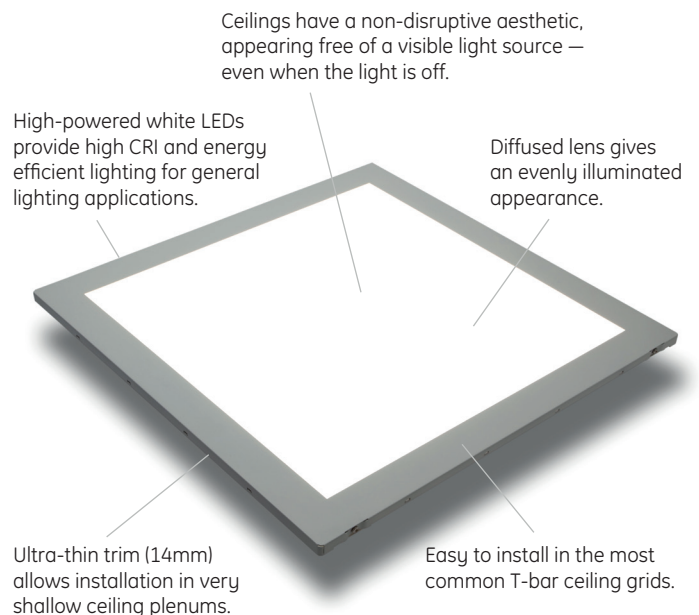
No IR or UV radiation

- Suitable for lighting fragile objects in shops, museums or on display

Easy to install into 600mm x 600mm, 15mm or 24mm exposed tee grid ceilings

Applications

- General Lighting
- Office, Retail, Healthcare, Education



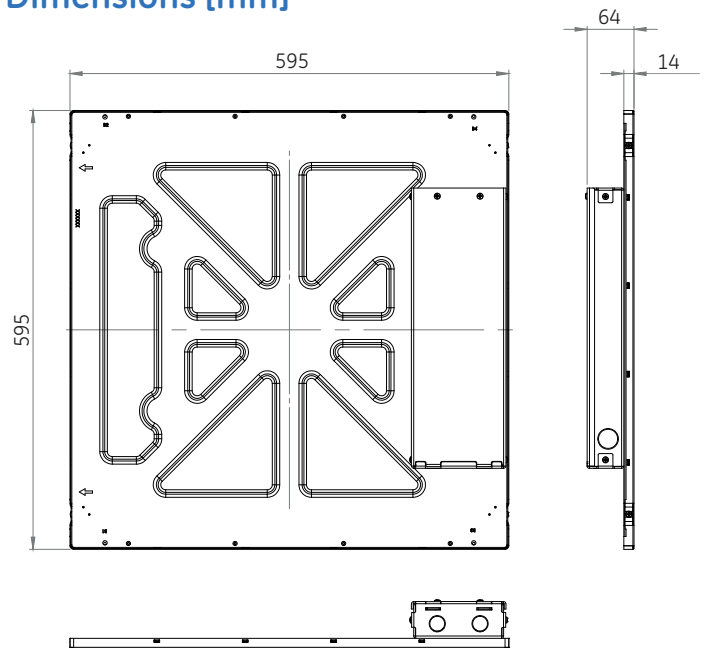
Basic data

Product Code	Product Description	Colour Temperature [K]	Beam Pattern	Ceiling Type	Dimming Controller	Certification
66503	ET22-7A1AV-WHTE	3000	Medium	600mm x 600mm, 15mm or 24mm exposed tee grid	1-10V	CE
66501	ET22-7A2AV-WHTE	3500	Medium	600mm x 600mm, 15mm or 24mm exposed tee grid	1-10V	CE
66502	ET22-7A3AV-WHTE	4000	Medium	600mm x 600mm, 15mm or 24mm exposed tee grid	1-10V	CE
66506	ET22-7A1AD-WHTE	3000	Medium	600mm x 600mm, 15mm or 24mm exposed tee grid	DALI	CE
66504	ET22-7A2AD-WHTE	3500	Medium	600mm x 600mm, 15mm or 24mm exposed tee grid	DALI	CE
66505	ET22-7A3AD-WHTE	4000	Medium	600mm x 600mm, 15mm or 24mm exposed tee grid	DALI	CE
66509	ET22-7B1AV-WHTE	3000	Wide	600mm x 600mm, 15mm or 24mm exposed tee grid	1-10V	CE
66507	ET22-7B2AV-WHTE	3500	Wide	600mm x 600mm, 15mm or 24mm exposed tee grid	1-10V	CE
66508	ET22-7B3AV-WHTE	4000	Wide	600mm x 600mm, 15mm or 24mm exposed tee grid	1-10V	CE
66512	ET22-7B1AD-WHTE	3000	Wide	600mm x 600mm, 15mm or 24mm exposed tee grid	DALI	CE
66510	ET22-7B2AD-WHTE	3500	Wide	600mm x 600mm, 15mm or 24mm exposed tee grid	DALI	CE
66511	ET22-7B3AD-WHTE	4000	Wide	600mm x 600mm, 15mm or 24mm exposed tee grid	DALI	CE

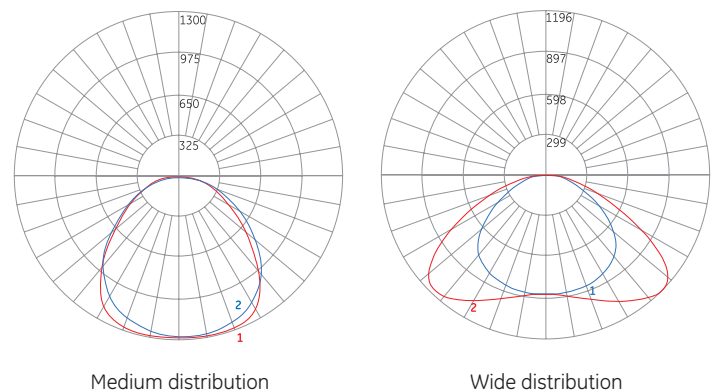
Specifications

Input Voltage [V]	120-277
Input Power [W]	50
Input Frequency [Hz]	50/60
Power Factor	>0.9
Lumen Output [lm]	3200lm @ 3000K 3400lm @ 3500K 3700lm @ 4000K
CCT [K]	3000 / 3500 / 4000
CRI	80
Efficiency [lm/W]	64 (3000) / 68 (3500) / 74 (4000)
Control	1-10V or DALI
Ceilings	15mm or 24mm exposed tee grid ceiling
Life [L85, h]	50,000
Warranty	5 years
Files Available	LM79, LM80, TM21 & IES
Dimensions (with electrical enclosure)	595 mm x 595 mm x 63 mm
Weight [kg]	<7
Operating Temperature Range	-10°C to + 25°C
Humidity (non-condensing)	20 to 80% Non-condensing, dry locations only
Storage Temperature Range	-40°C to + 60°C
IP Rating (general)	IP30
IP rating (front face only)	IP54
UGR	UGR <19/22 depending on beam pattern for office applications in compliance with EN 12464

Dimensions [mm]



Light Output



Spectral Distribution

