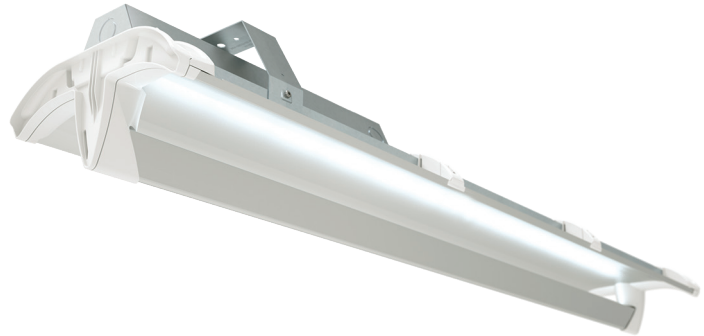


Lumination™ LED Luminaires IS Series



DATA SHEET

Product information

Lumination™ LED Luminaires – IS Series are designed to deliver efficient lighting for commercial applications. These efficient lighting fixtures have a long life and deliver a remarkable efficacy, allowing for lower maintenance and operating costs.

Features & benefits

- Visually appealing illumination with CRI 83+
- Minimal glare
- Provides strong horizontal and vertical illuminance
- Available in 1200 mm and 2400 mm versions
- Available for use as 'stand alone luminaires or continuous rows with simple mechanical snap-fix and plug & socket through wiring
- 5 year limited warranty
- DALI or 1-10V with dimming range of 100-10%

LED technology

- Energy efficient (101 to 123 lumens per watt)
- Long rated life & low maintenance: L85 75,000 hours

Applications

- Low bay open ceiling applications
- Retail
- Commercial
- Industrial
- Warehouse

Structures and materials

- Fully recyclable heatsink
- IP Rating: IP20

Electrical and gear compartment

- Thermal overload protection shuts down the luminaire when system temperatures exceed designed operating conditions.
- THD: <20%
- Environmental Testing: High Temperature High Humidity: 60°C / 90% (non-condensing).

Installation

- 2 mounting brackets are included with each fixture. Additional mounting brackets can be ordered if needed, depending upon mounting and spacing of application.
- Suspension wire kits are also available.



Ordering data

SKU	Description	Type	Lumen Output [lm]	CCT [K]	Watts [W]	System Efficiency [lm/W]	Dimensions (L/W/H) [mm]	Functionailty	Emergency version
93011855	ISS47A3MDSLVR IHNS	Starter	4075	4000	34.5	118	1256x260x169	DALI	NO
93011852	ISS47A3MVSLVR IHNS	Starter	4075	4000	34.5	118	1256x260x169	1-10V	NO
93011854	ISS47B3MDSLVR IHNS	Starter	5045	4000	43.5	116	1256x260x169	DALI	NO
93011843	ISS47B3MVSLVR IHNS	Starter	5045	4000	43.5	116	1256x260x169	1-10V	NO
93012538	ISS87A3MDSLVR IHNS	Starter	8150	4000	66	123	2475x260x169	DALI	NO
93012636	ISS87A3MVSLVR IHNS	Starter	8150	4000	66	123	2475x260x169	1-10V	NO
93012637	ISS87B3MDSLVR IHNS	Starter	10100	4000	84	120	2475x260x169	DALI	NO
93012638	ISS87B3MVSLVR IHNS	Starter	10100	4000	84	120	2475x260x169	1-10V	NO
93012625	ISS47A2MDSLVR IHNS	Starter	3880	3500	34.5	112	1256x260x169	DALI	NO
93012635	ISS47A2MVSLVR IHNS	Starter	3880	3500	34.5	112	1256x260x169	1-10V	NO
93012633	ISS47B2MDSLVR IHNS	Starter	4800	3500	43.5	110	1256x260x169	DALI	NO
93012623	ISS87A2MDSLVR IHNS	Starter	7760	3500	66	118	2475x260x169	DALI	NO
93012624	ISS87A2MVSLVR IHNS	Starter	7760	3500	66	118	2475x260x169	1-10V	NO
93012537	ISS87B2MDSLVR IHNS	Starter	9615	3500	84	114	2475x260x169	DALI	NO
93012634	ISS87B2MVSLVR IHNS	Starter	9615	3500	84	114	2475x260x169	1-10V	NO
93012574	ISS47B2MVSLVR IHNS	Starter	4800	3500	43.5	110	1256x260x169	1-10V	NO
93011844	ISS87A3MDSLVRREL IHNS	Starter with Emergency unit	8150	4000	70	116	2475x260x169	DALI	YES
93011853	ISS47B3MDSLVRREL IHNS	Starter with Emergency unit	5045	4000	47.5	106	1256x260x169	DALI	YES
93012600	ISS47A3MVSLVRREL IHNS	Starter with Emergency unit	4075	4000	38.5	106	1256x260x169	1-10V	YES
93012602	ISS87A3MVSLVRREL IHNS	Starter with Emergency unit	8150	4000	70	116	2475x260x169	1-10V	YES
93012604	ISS47A3MDSLVRREL IHNS	Starter with Emergency unit	4075	4000	38.5	106	1256x260x169	DALI	YES
93012606	ISS47B3MVSLVRREL IHNS	Starter with Emergency unit	5045	4000	47.5	106	1256x260x169	1-10V	YES
93012608	ISS87B3MVSLVRREL IHNS	Starter with Emergency unit	10100	4000	88	115	2475x260x169	1-10V	YES
93012611	ISS87B3MDSLVRREL IHNS	Starter with Emergency unit	10100	4000	88	115	2475x260x169	DALI	YES
93012632	ISS47A2MVSLVRREL IHNS	Starter with Emergency unit	3880	3500	38.5	101	1256x260x169	1-10V	YES
93012631	ISS47B2MVSLVRREL IHNS	Starter with Emergency unit	4800	3500	47.5	101	1256x260x169	1-10V	YES
93012601	ISS87A2MVSLVRREL IHNS	Starter with Emergency unit	7760	3500	70	111	2475x260x169	1-10V	YES
93012603	ISS47A2MDSLVRREL IHNS	Starter with Emergency unit	3880	3500	38.5	101	1256x260x169	DALI	YES
93012605	ISS87A2MDSLVRREL IHNS	Starter with Emergency unit	7760	3500	70	111	2475x260x169	DALI	YES
93012607	ISS87B2MVSLVRREL IHNS	Starter with Emergency unit	9615	3500	88	109	2475x260x169	1-10V	YES
93012609	ISS47B2MDSLVRREL IHNS	Starter with Emergency unit	4800	3500	47.5	101	1256x260x169	DALI	YES
93012610	ISS87B2MDSLVRREL IHNS	Starter with Emergency unit	9615	3500	88	109	2475x260x169	DALI	YES
93011842	ISC47A3MDSLVR IHNS	Continuous run	4075	4000	34.5	118	1219x260x169	DALI	NO
93011851	ISC47A3MVSLVR IHNS	Continuous run	4075	4000	34.5	118	1219x260x169	1-10V	NO
93011856	ISC47B3MVSLVR IHNS	Continuous run	5045	4000	43.5	116	1219x260x169	1-10V	NO
93011849	ISC87B3MDSLVR IHNS	Continuous run	10100	4000	84	120	2438x260x169	DALI	NO
93011850	ISC87B3MVSLVR IHNS	Continuous run	10100	4000	84	120	2438x260x169	1-10V	NO
93012539	ISC87A3MDSLVR IHNS	Continuous run	8150	4000	66	123	2438x260x169	DALI	NO
93012572	ISC47B3MDSLVR IHNS	Continuous run	5045	4000	43.5	116	1219x260x169	DALI	NO
93012573	ISC87A3MVSLVR IHNS	Continuous run	8150	4000	66	123	2438x260x169	1-10V	NO
93012534	ISC47B2MDSLVR IHNS	Continuous run	4800	3500	43.5	110	1219x260x169	DALI	NO
93012536	ISC47B2MVSLVR IHNS	Continuous run	4800	3500	43.5	110	1219x260x169	1-10V	NO
93012433	ISC87A2MDSLVR IHNS	Continuous run	7760	3500	66	118	2438x260x169	DALI	NO
93012621	ISC87A2MVSLVR IHNS	Continuous run	7760	3500	66	118	2438x260x169	1-10V	NO
93012450	ISC87B2MDSLVR IHNS	Continuous run	9615	3500	84	114	2438x260x169	DALI	NO
93012622	ISC87B2MVSLVR IHNS	Continuous run	9615	3500	84	114	2438x260x169	1-10V	NO
93012570	ISC47A2MDSLVR IHNS	Continuous run	3880	3500	34.5	112	1219x260x169	DALI	NO
93012571	ISC47A2MVSLVR IHNS	Continuous run	3880	3500	34.5	112	1219x260x169	1-10V	NO
93011845	ISC47A3MVSLVRREL IHNS	Continuous run with Emergency unit	4075	4000	38.5	106	1219x260x169	1-10V	YES
93011847	ISC87A3MVSLVRREL IHNS	Continuous run with Emergency unit	8150	4000	70	116	2438x260x169	1-10V	YES
93011848	ISC87A3MDSLVRREL IHNS	Continuous run with Emergency unit	8150	4000	70	116	2438x260x169	DALI	YES
93011846	ISC87B3MDSLVRREL IHNS	Continuous run with Emergency unit	10100	4000	88	115	2438x260x169	DALI	YES

Ordering data

SKU	Description	Type	Lumen Output [lm]	CCT [K]	Watts [W]	System Efficiency [lm/W]	Dimensions (L/W/H) [mm]	Functionality	Emergency version
93012592	ISC47A3MDSLVR IHN	Continuous run with Emergency unit	4075	4000	38.5	106	1219x260x169	DALI	YES
93012594	ISC47B3MDSLVR IHN	Continuous run with Emergency unit	5045	4000	47.5	106	1219x260x169	1-10V	YES
93012596	ISC87B3MDSLVR IHN	Continuous run with Emergency unit	10100	4000	88	115	2438x260x169	1-10V	YES
93012598	ISC47B3MDSLVR IHN	Continuous run with Emergency unit	5045	4000	47.5	106	1219x260x169	DALI	YES
93012540	ISC47B2MDSLVR IHN	Continuous run with Emergency unit	4800	3500	47.5	101	1219x260x169	1-10V	YES
93012589	ISC47A2MDSLVR IHN	Continuous run with Emergency unit	3880	3500	38.5	101	1219x260x169	1-10V	YES
93012590	ISC87A2MDSLVR IHN	Continuous run with Emergency unit	7760	3500	70	111	2438x260x169	1-10V	YES
93012591	ISC47A2MDSLVR IHN	Continuous run with Emergency unit	3880	3500	38.5	101	1219x260x169	DALI	YES
93012593	ISC87A2MDSLVR IHN	Continuous run with Emergency unit	7760	3500	70	111	2438x260x169	DALI	YES
93012595	ISC87B2MDSLVR IHN	Continuous run with Emergency unit	9615	3500	88	109	2438x260x169	1-10V	YES
93012597	ISC47B2MDSLVR IHN	Continuous run with Emergency unit	4800	3500	47.5	101	1219x260x169	DALI	YES
93012599	ISC87B2MDSLVR IHN	Continuous run with Emergency unit	9615	3500	88	109	2438x260x169	DALI	YES
93012516	IS147A3MDSLVR IHN	Stand alone	4075	4000	34.5	118	1256x260x169	DALI	NO
93012517	IS147A3MDSLVR IHN	Stand alone	4075	4000	34.5	118	1256x260x169	1-10V	NO
93012520	IS147B3MDSLVR IHN	Stand alone	5045	4000	43.5	116	1256x260x169	DALI	NO
93012564	IS187A3MDSLVR IHN	Stand alone	8150	4000	66	123	2475x260x169	DALI	NO
93012561	IS147B3MDSLVR IHN	Stand alone	5045	4000	43.5	116	1256x260x169	1-10V	NO
93012565	IS187A3MDSLVR IHN	Stand alone	8150	4000	66	123	2475x260x169	1-10V	NO
93012568	IS187B3MDSLVR IHN	Stand alone	10100	4000	84	120	2475x260x169	DALI	NO
93012569	IS187B3MDSLVR IHN	Stand alone	10100	4000	84	120	2475x260x169	1-10V	NO
93012514	IS147A2MDSLVR IHN	Stand alone	3880	3500	34.5	112	1256x260x169	DALI	NO
93012515	IS147A2MDSLVR IHN	Stand alone	3880	3500	34.5	112	1256x260x169	1-10V	NO
93012518	IS147B2MDSLVR IHN	Stand alone	4800	3500	43.5	110	1256x260x169	DALI	NO
93012519	IS147B2MDSLVR IHN	Stand alone	4800	3500	43.5	110	1256x260x169	1-10V	NO
93012562	IS187A2MDSLVR IHN	Stand alone	7760	3500	66	118	2475x260x169	DALI	NO
93012563	IS187A2MDSLVR IHN	Stand alone	7760	3500	66	118	2475x260x169	1-10V	NO
93012566	IS187B2MDSLVR IHN	Stand alone	9615	3500	84	114	2475x260x169	DALI	NO
93012567	IS187B2MDSLVR IHN	Stand alone	9615	3500	84	114	2475x260x169	1-10V	NO
93012533	IS147A3MDSLVR IHN	Stand alone with Emergency unit	4075	4000	38.5	106	1256x260x169	1-10V	YES
93012576	IS187A3MDSLVR IHN	Stand alone with Emergency unit	8150	4000	70	116	2475x260x169	1-10V	YES
93012578	IS147A3MDSLVR IHN	Stand alone with Emergency unit	4075	4000	38.5	106	1256x260x169	DALI	YES
93012580	IS187A3MDSLVR IHN	Stand alone with Emergency unit	8150	4000	70	116	2475x260x169	DALI	YES
93012582	IS147B3MDSLVR IHN	Stand alone with Emergency unit	5045	4000	47.5	106	1256x260x169	1-10V	YES
93012584	IS187B3MDSLVR IHN	Stand alone with Emergency unit	10100	4000	88	115	2475x260x169	1-10V	YES
93012586	IS147B3MDSLVR IHN	Stand alone with Emergency unit	5045	4000	47.5	106	1256x260x169	DALI	YES
93012588	IS187B3MDSLVR IHN	Stand alone with Emergency unit	10100	4000	88	115	2475x260x169	DALI	YES
93012535	IS187A2MDSLVR IHN	Stand alone with Emergency unit	7760	3500	70	111	2475x260x169	1-10V	YES
93012575	IS147A2MDSLVR IHN	Stand alone with Emergency unit	3880	3500	38.5	101	1256x260x169	1-10V	YES
93012577	IS147A2MDSLVR IHN	Stand alone with Emergency unit	3880	3500	38.5	101	1256x260x169	DALI	YES
93012579	IS187A2MDSLVR IHN	Stand alone with Emergency unit	7760	3500	70	111	2475x260x169	DALI	YES
93012581	IS147B2MDSLVR IHN	Stand alone with Emergency unit	4800	3500	47.5	101	1256x260x169	1-10V	YES
93012583	IS187B2MDSLVR IHN	Stand alone with Emergency unit	9615	3500	88	109	2475x260x169	1-10V	YES
93012585	IS147B2MDSLVR IHN	Stand alone with Emergency unit	4800	3500	47.5	101	1256x260x169	DALI	YES
93012587	IS187B2MDSLVR IHN	Stand alone with Emergency unit	9615	3500	88	109	2475x260x169	DALI	YES

Accessories

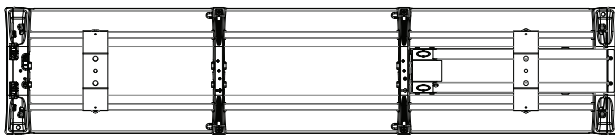
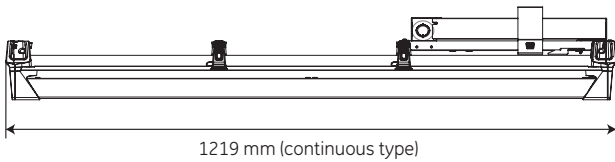
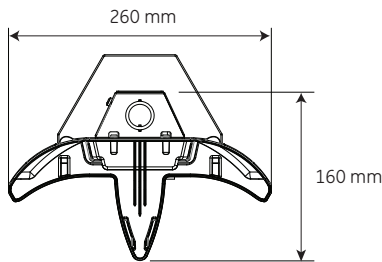
SKU	Description
94210	Spare brackets, 5 pairs
69075	Wire suspension, single wire, one piece
69076	Wire suspension, 'Y'-shaped wire, one piece

Specifications

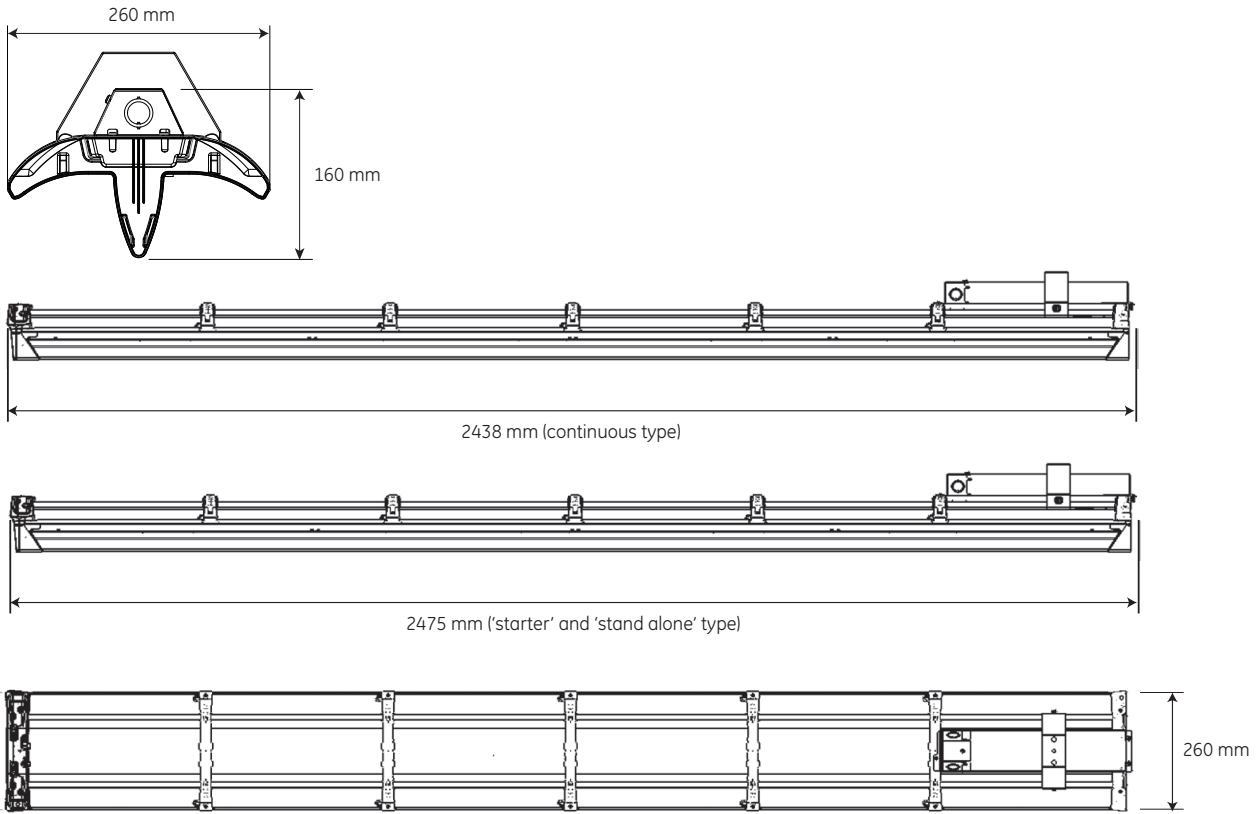
	IS14	IS18	ISS4	ISS8	ISC4	ISC8
Input Voltage [V]	220-240	220-240	220-240	220-240	220-240	220-240
Input Frequency [Hz]	50/60	50/60	50/60	50/60	50/60	50/60
Power Factor	>0.9	>0.9	>0.9	>0.9	>0.9	>0.9
CRI	>83	>83	>83	>83	>83	>83
Control	1-10V, DALI	1-10V, DALI	1-10V, DALI	1-10V, DALI	1-10V, DALI	1-10V, DALI
Fixing method	Suspended	Suspended	Suspended	Suspended	Suspended	Suspended
Life [L85, hrs]	75,000	75,000	75,000	75,000	75,000	75,000
Warranty [years]	5	5	5	5	5	5
Files Available	IES & LDT files are available					
Dimensions [mm]	See description tables – depend upon type					
Weight [kg]	3.97	6.88	3.97	6.88	3.97	6.88
Humidity (non-condensing)	20% to 80%	20% to 80%	20% to 80%	20% to 80%	20% to 80%	20% to 80%
Operating Temperature Range [°C]	-10 to +35	-10 to +35	-10 to +35	-10 to +35	-10 to +35	-10 to +35
Storage Temperature Range [°C]	-40 to +70	-40 to +70	-40 to +70	-40 to +70	-40 to +70	-40 to +70
UGR	<26	<26	<26	<26	<26	<26
IP Rating	IP20	IP20	IP20	IP20	IP20	IP20

Dimensions [mm]

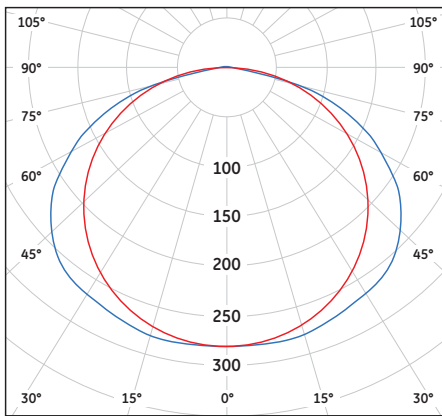
IS Series – ISx4



IS Series – ISx8



Photometric data



cd/klm

— C0-C180 — C90-C270

www.gelighting.com

 and General Electric are both registered trademarks of the General Electric Company

GE Lighting is constantly developing and improving its products. For this reason, all product descriptions in this brochure are intended as a general guide, and we may change specifications time to time in the interest of product development, without prior notification or public announcement. All descriptions in this publication present only general particulars of the goods to which they refer and shall not form part of any contract. Data in this guide has been obtained in controlled experimental conditions. However, GE Lighting cannot accept any liability arising from the reliance on such data to the extent permitted by law.

IS-Series Data Sheet – July 2015