



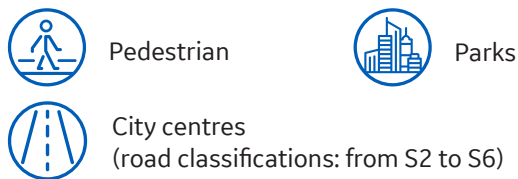
Navona



Product information

Navona is a LED solution to replace traditional fixtures in parks, pedestrian areas, city centers. Timeless design incorporates the aesthetic necessities with the optimal optical distribution, providing several lumen packages with symmetrical and asymmetrical distribution and a power range from 16W to 72W to meet a wide range of lighting scenarios. Navona offers a major increase in both vertical and horizontal uniformity. Combined with the high chromatic reproduction contributed by LED technology (white light), this uniform quality facilitates face recognition and visual comfort. Its advanced optical design enables the light to be directed specifically where it is needed.

Application areas



Driver features

- Electronic, programmable & dimmable (DALI and 0-10V**).
 - Controllable driver with astronomical clock availability.
 - Controls system inputs: Analog, DALI, Dynadim
- **In case of 0-10V control please do not dimming below 40%.

Performance

- Rated luminous flux range: 1160 to 7430 lm
- Rated luminaire efficacy: Up to 109 lm/W
- Rated median useful life and the associated rated LM factor L80B50: > 200.000 hours
- Rated abrupt failure value: 13.2 %*
- Photometric code: 730/559, 740/559
- Lumen maintenance code: 8
- Rated ambient temperature (tq) related to performance for a luminaire: 25°C

*Definitions and tolerances according to IEC62722-2-1:2014

Electrical

Input voltage and frequency: 220-240V, 50-60Hz
IEC Protection Class: Class I
Surge protection: 6kV standard / 10kV option available
Rated input power: 16W to 72W

Installation and maintenance

Mounting options:

- 1- and 2-arm through 42-48, 60, 76 mm standard post top mounting. Side mounting through 60 mm diameter pole.
- Weight: 11,2 kg
- Recommended mounting height: 4-6 m
- Ambient operating temperature: -30°C to +50°C
- Storage temperature: up to 85°C

Optics

Available photometric distributions:

- Asymmetric Forward Clear (AFC)
- Asymmetric Wide Clear (AWC)
- Asymmetric Narrow Clear (ANC)
- Asymmetric Wide Diffuser (AWD)
- Symmetric Wide Clear (SWC)
- Symmetric Wide Diffuser (SWD)
- Symmetric Forward Clear (SFC)

Rated colour rendering index >70

Rated correlated colour temperatures*: 3000K, 4000K
ULOR: 0

Rated initial chromaticity co-ordinate values:

- CIE(x=0.43, y=0.403) 5SDCM
- CIE(x= 0.38, y= 0.38) 5SDCM

Structures and materials

- Housing material: in three pieces (upper-housing, lowerhousing and arm with coupler), all made from die-cast aluminium with a polyester powder paint finish and oven cured.
- Surface finish: polyester powder coat
- Colour: RAL9007
- Optical cover: flat tempered glass
- All materials used in this product are WEEE and ROHS compatible.

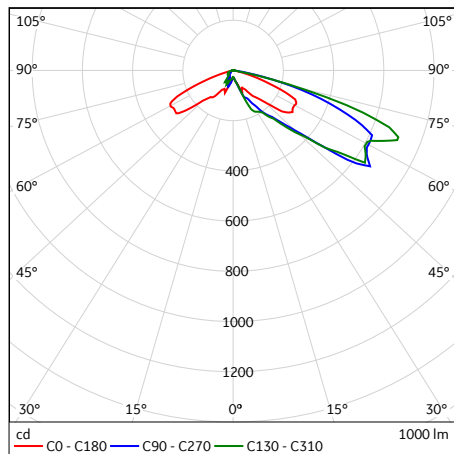
Standards and regulation

CE, ENEC, Directive 2004/108/EC, 2006/95/EC, 2009/125/EC, 1194/2012/EU, 2011/65/EC, EN 60598, EN 62471, EN 55015, EN 61000, EN 62493, EN 61547.

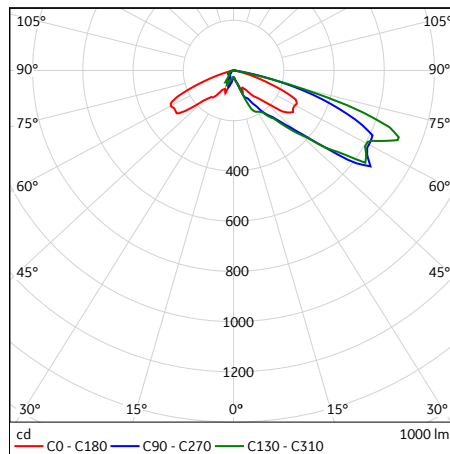
Other options available

Additional surge protection available 6KV/6KA. Precabing, daylight sensor. Extended ambient temperature -40°C - +50°C is available. Other RAL colours available on request.

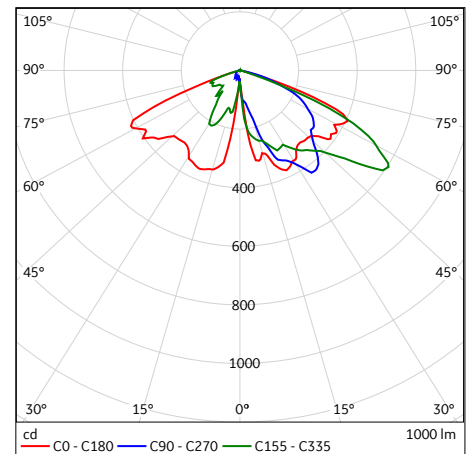
Typical photometrical features



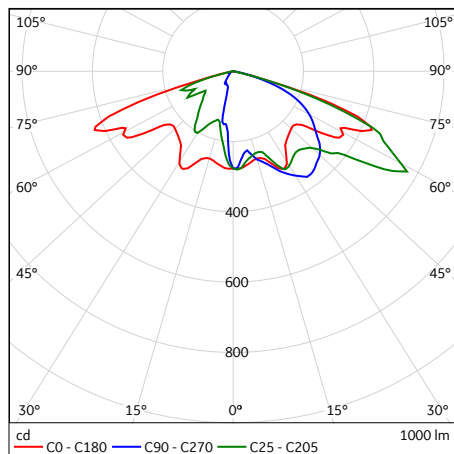
AFC FLAT 1ARM



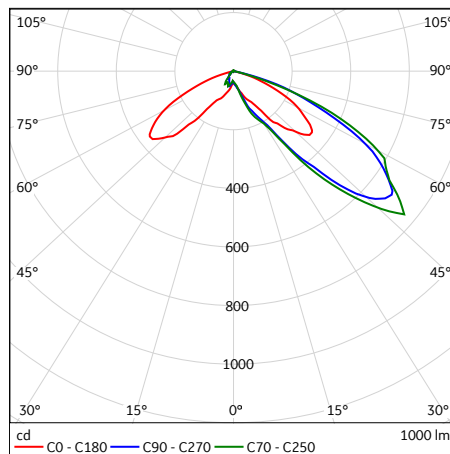
AFC FLAT SIDE ARM



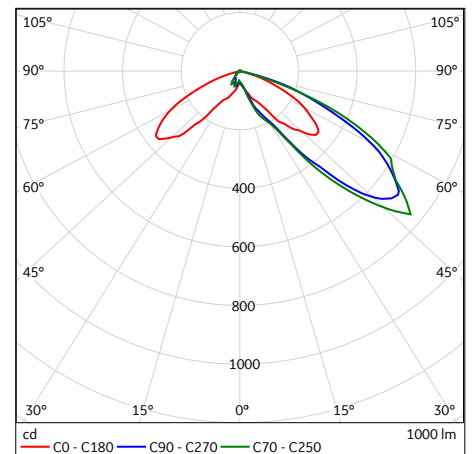
ANC FLAT 1ARM



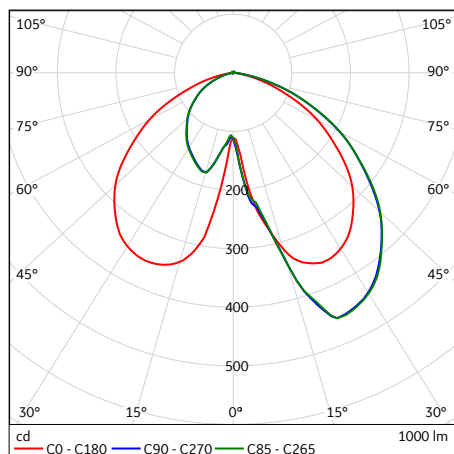
ANC FLAT SIDE ARM



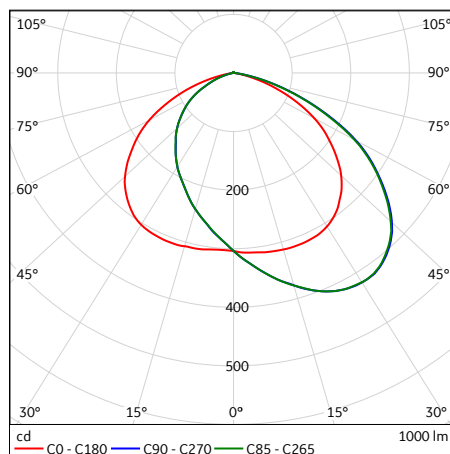
AWC FLAT 1ARM



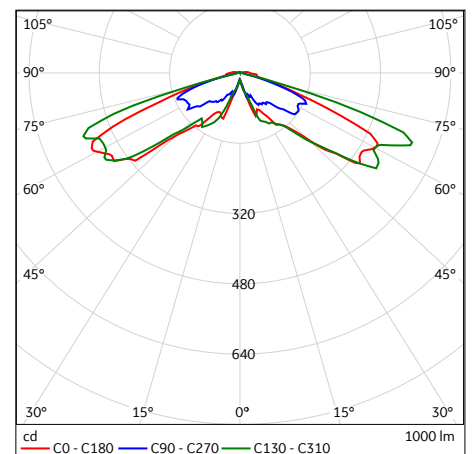
AWC FLAT SIDE ARM



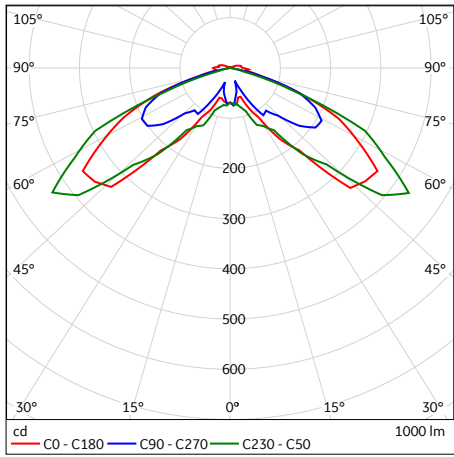
AWD FLAT 1ARM



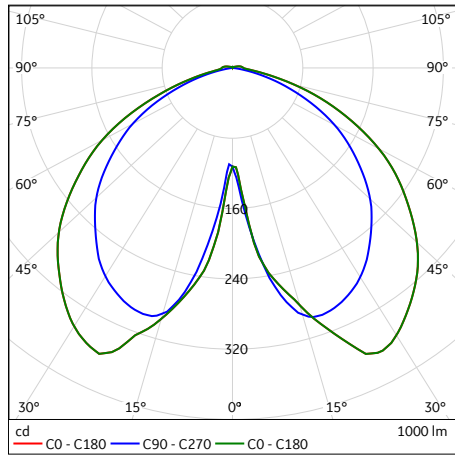
AWD FLAT SIDE ARM



SFC FLAT 2ARMS

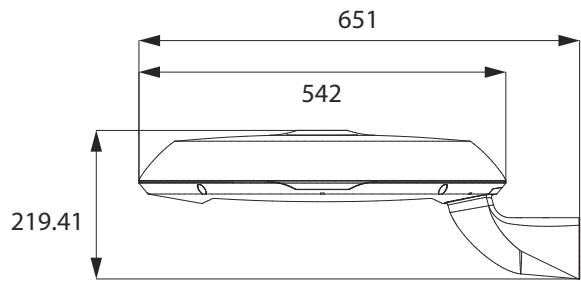
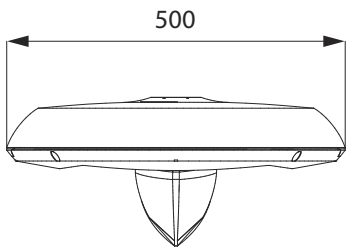
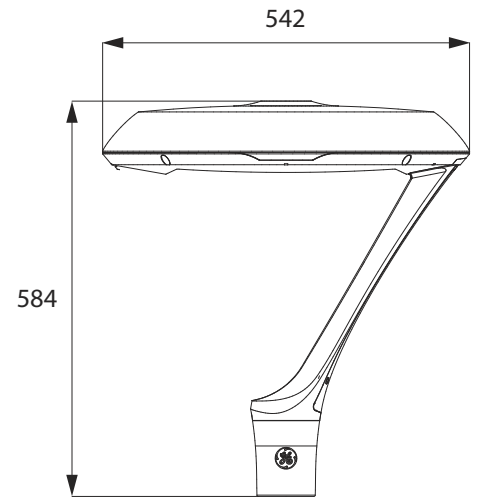
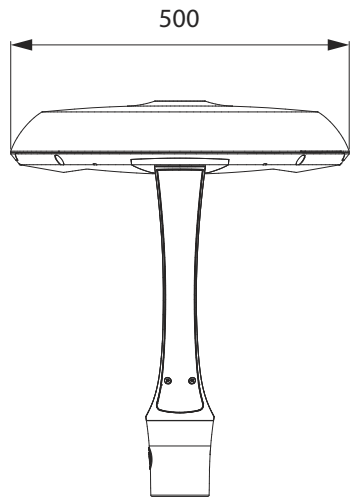
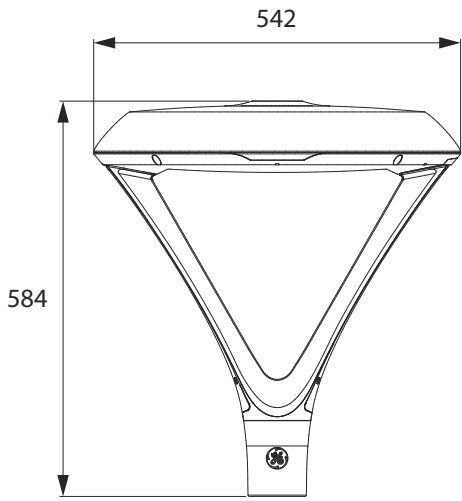


SWC FLAT 2ARMS



SWD FLAT 2ARMS

Dimensions (mm)



Order logic

Name	Gen.	Front Glass	Optics	Power (W)	CCT (K)	Control	Accessories	IEC Protection Classes	Precabbling	Arm Type	Coupler	Color
NA	2	F -Flat Glass	AFC AWC ANC AWD SWC SWD SFC	16	30 -3000 40 -4000	A - Analog D - DALI Y - DynaDim	ST - Standard type SP - 6kV surge protection M3 - 35 lux Minicell	C1 - Class I C2 - Class II	N - No precabbling PX - Precabbling with XX meters*	1 - 1 arm 2 - 2 arms S - side	48 - 42- 48 mm 60 - 60mm 76- 76mm	R9007
				21								
				25								
				31								
				32								
				38								
				39								
				46								
				47								
				48								
				54								
				56								
				61								
				62								
				71								
				72								

Example: NA/2/SWC/32/30/D/ST/C1/2/60/N/R9007

Asymmetric optics with 2 arm and symmetric optics with 1-arm and side mount not available 16, 21 and 25W aviable with DALI and 0-10 control, asymmetric optics, IEC Class I protection and 25W with symmetric optics and 0-10V control, IEC Class I protection onlyastronomical clock is available on 39W and above.

Minicell available only in IEC Class 1 version with SVP

In case of precabbling standard lenght are 2 and 10 m cable from connector, in case of other lenght it have to sign

Side mount option available with 60mm coupler only

Standard color is RAL9007, in case of other color have to sign the exactly RAL code number Rxxxx