

Tetra® Contour & Contour LS

SKU	Product code	Description	Color	Quantity	Additional Information
13962	GEXNBL-1	Tetra® Contour Blue LED Light Engine	Blue	12/Box	Unit Length 2.44m
13964	GEXNGL-1	Tetra® Contour Green LED Light Engine	Green	12/Box	Unit Length 2.44m
13975	GEXNYG-1	Tetra® Contour Amber LED Light Engine	Amber	12/Box	Unit Length 2.44m
13965	GEXNRC-1	Tetra® Contour Red-Orange LED Light Engine	Red-Orange	12/Box	Unit Length 2.44m
13966	GEXNRD-1	Tetra® Contour Red LED Light Engine	Red	12/Box	Unit Length 2.44m
13971	GEXN65-1	Tetra® Contour White (6500K) LED Light Engine	White	12/Box	Unit Length 2.44m
13972	GEXN32-1	Tetra® Contour Warm White (3200K) LED Light Engine	Warm White	12/Box	Unit Length 2.44m
14003	GEXNLBL-1	Tetra® Contour LS Blue Light Engine and Blue Light Guide	Blue	12/Box	Unit Length 2.44m
14012	GEXNLGL-1	Tetra® Contour LS Green Light Engine and Green Light Guide	Green	12/Box	Unit Length 2.44m
14035	GEXNLRD-1	Tetra® Contour LS Red Light Engine and Red Light Guide	Red	12/Box	Unit Length 2.44m
14036	GEXNL65-1	Tetra® Contour LS White Light Engine (6500K) and White Light Guide	White	12/Box	Unit Length 2.44m
14042	GEXNL32-1	Tetra® Contour LS Warm White Light Engine (3200K) and White Light Guide	Warm White	12/Box	Unit Length 2.44m

Technical Specifications

Specification Item	Wavelength Color Temp	Typical Brightness lumens/m (light engine)	LEDs/ Module	Energy Consumption (Strip/m)	Energy Consumption (System/m)	EEC	Energy Consumption (kWh/1000h)	Power Supply Loading (m/100W)	Viewing Angle (light engine/with light guide)
GEXNBL-1	467nm	99	42	5.02	5.91			17.87	115/330
GEXNGL-1	532nm	396	42	5.02	5.91	A	5.51	17.87	115/330
GEXNYG-1	589nm	198	42	7.49	8.81			12.12	115/330
GEXNRC-1	618nm	280	42	7.49	8.81	B	8.25	12.12	115/330
GEXNRD-1	625nm	182	42	5.02	5.91			17.87	115/330
GEXN65-1	6500K	462	48	10.46	12.31	B	11.52	8.78	115/330
GEXN32-1	3200K	429	48	10.46	12.31	B	11.52	8.78	115/330
GEXNLBL-1	467nm	99	21	5.71	6.70			15.75	115/330
GEXNLGL-1	532nm	396	21	5.71	6.70	A	6.27	15.75	115/330
GEXNLRD-1	625nm	182	21	4.29	5.05			20.90	115/330
GEXNL65-1	6500K	462	24	10.46	12.31	B	11.52	8.78	115/330
GEXNL32-1	3200K	429	24	10.46	12.31	B	11.52	8.78	115/330

Specification Item Specification

Cutting Resolution	On Contour ONLY cut on wire between every module or the location showing "CUT HERE ONLY" on module.			
Power Supply	GEPS24-20 Input: 90-264VAC; Output: 24VDC GEPS24D-80U Input: 90-305VAC; Output: 24VDC GEPS24W-80 Input: 90-264VAC; Output: 24VDC GEPS24-100-GL Input: 108-305VAC; Output: 24VDC GEPS24-180U Input: 90-305VAC; Output: 24VDC			
Maximum Supply Wire Limits	18 AWG/0.82 mm² Supply Wire	16 AWG/1.31 mm² Supply Wire	14 AWG/2.08 mm² Supply Wire	12 AWG/3.31 mm² Supply Wire
	20W Power Supply	6.1 m	-	-
	80W Power Supply	6.1 m	9.1 m	26.1 m
	100W Power Supply	6.1 m	9.1 m	26.1 m
	180W Power Supply	6.1 m	9.1 m	26.1 m
Operating Environment	-40 °C to +60 °C			
Module Dimensions (h x l x w)	Light engine: 12mm x 406mm x 10.1mm Light engine with light guide: 28mm x 2440mm x 25mm			
Sign Dimensions	N/A			
Warranty	GE offers a limited system warranty of up to five (5) years			
System Certifications	UL Recognized #E219167, UL Classified #E229508, CE, C-tick, RoHS, Light engine IP54 rated: Dry or damp location rated Light engine and Light Guide IP66 rated: Dry, damp or wet location rated			



Tetra® Contour & Contour LS | Components

SKU	Product code	Description	Color	Quantity	Additional Information
68361	GERDXNLG15	Tetra Contour Light Guide	Red	12/box	Unit Length: 2.44m
98510	GEPOXNLG15	Tetra Contour Light Guide	Orange	12/box	Unit Length: 2.44m
98517	GEYAXNLG15	Tetra Contour Light Guide	Yellow	12/box	Unit Length: 2.44m
68354	GEGLXNLG15	Tetra Contour Light Guide	Green	12/box	Unit Length: 2.44m
68348	GEBLXNLG15	Tetra Contour Light Guide	Blue	12/box	Unit Length: 2.44m
68377	GEXNLG15	Tetra Contour Light Guide	White	12/box	Unit Length: 2.44m

Accessories

SKU	Product code	Description	Color	Quantity	Additional Information
98603	GEPS24-20	Power Supply: Input: 90-264VAC, Output: 24VDC/20W		10 power supplies	
98941	GEPS24-100U	Power Supply: Input: 108-305VAC, Output: 24VDC/100W		10 power supplies	
98602	GEPS24-180	Power Supply: Input: 90-305VAC, Output: 24VDC/180W		8 power supplies	
68347	9409	18 AWG (0.82mm ²) Supply Wire		152.40 m per spool	2 wire
68666	GEXNWB2	Weather Box		20/bag	White, Paintable Surface
68376	GEXNBA	Tetra Contour Silicone Bend-Aid (Reusable)		12/bag	Unit Length: 406mm
68571	GEXNMC15	Tetra Contour Light Guide Mounting Clip 50/bag			
68572	GEXNMCAC	Tetra Contour Light Engine Mounting Clip		20/bag	White, Paintable Surface
98509	191600041	22-14 AWG Twist-on Wire Connector (0.82-2.08 mm ²)		500/bag	
68372	GERDXNLGEC15	Tetra Contour Light Guide End Cap	Red	20/bag	
68371	GERDXNLGEC15	Tetra Contour Light Guide Connector	Red	20/bag	
68373	GERDXNLGI15	Tetra Contour Light Guide 90° Inside Corner	Red	20/bag	
68374	GERDXNLGO15	Tetra Contour Light Guide 90° Outside Corner	Red	20/bag	
68375	GERDXNLGP15	Tetra Contour Light Guide 90° Planar Corner	Red	20/bag	
98511	GEPOXNLGEC15	Tetra Contour Light Guide Connector	Orange	20/bag	
98512	GEPOXNLGEC15	Tetra Contour Light Guide End Cap	Orange	20/bag	
98513	GEPOXNLGI15	Tetra Contour Light Guide 90° Inside Corner	Orange	20/bag	
98514	GEPOXNLGO15	Tetra Contour Light Guide 90° Outside Corner	Orange	20/bag	
98515	GEPOXNLGP15	Tetra Contour Light Guide 90° Planar Corner	Orange	20/bag	
98518	GEYAXNLGEC15	Tetra Contour Light Guide Connector	Yellow	20/bag	
98519	GEYAXNLGEC15	Tetra Contour Light Guide End Cap	Yellow	20/bag	
98520	GEYAXNLGI15	Tetra Contour Light Guide 90° Inside Corner	Yellow	20/bag	
98521	GEYAXNLGO15	Tetra Contour Light Guide 90° Outside Corner	Yellow	20/bag	
98522	GEYAXNLGP15	Tetra Contour Light Guide 90° Planar Corner	Yellow	20/bag	
68356	GEGLXNLGEC15	Tetra Contour Light Guide End Cap	Green	20/bag	
68355	GEGLXNLGEC15	Tetra Contour Light Guide Connector	Green	20/bag	
68357	GEGLXNLGI15	Tetra Contour Light Guide 90° Inside Corner	Green	20/bag	
68358	GEGLXNLGO15	Tetra Contour Light Guide 90° Outside Corner	Green	20/bag	
68360	GEGLXNLGP15	Tetra Contour Light Guide 90° Planar Corner	Green	20/bag	
68350	GEBLXNLGEC15	Tetra Contour Light Guide End Cap	Blue	20/bag	
68349	GEBLXNLGEC15	Tetra Contour Light Guide Connector	Blue	20/bag	
68351	GEBLXNLGI15	Tetra Contour Light Guide 90° Inside Corner	Blue	20/bag	
68352	GEBLXNLGO15	Tetra Contour Light Guide 90° Outside Corner	Blue	20/bag	
68353	GEBLXNLGP15	Tetra Contour Light Guide 90° Planar Corner	Blue	20/bag	
68514	GEXNLGEC15	Tetra Contour Light Guide End Cap	White	20/bag	
68378	GEXNLGEC15	Tetra Contour Light Guide Connector	White	20/bag	
68515	GEXNLGI15	Tetra Contour Light Guide 90° Inside Corner	White	20/bag	
68516	GEXNLGO15	Tetra Contour Light Guide 90° Outside Corner	White	20/bag	
68570	GEXNLGP15	Tetra Contour Light Guide 90° Planar Corner	White	20/bag	

www.gelighting.com

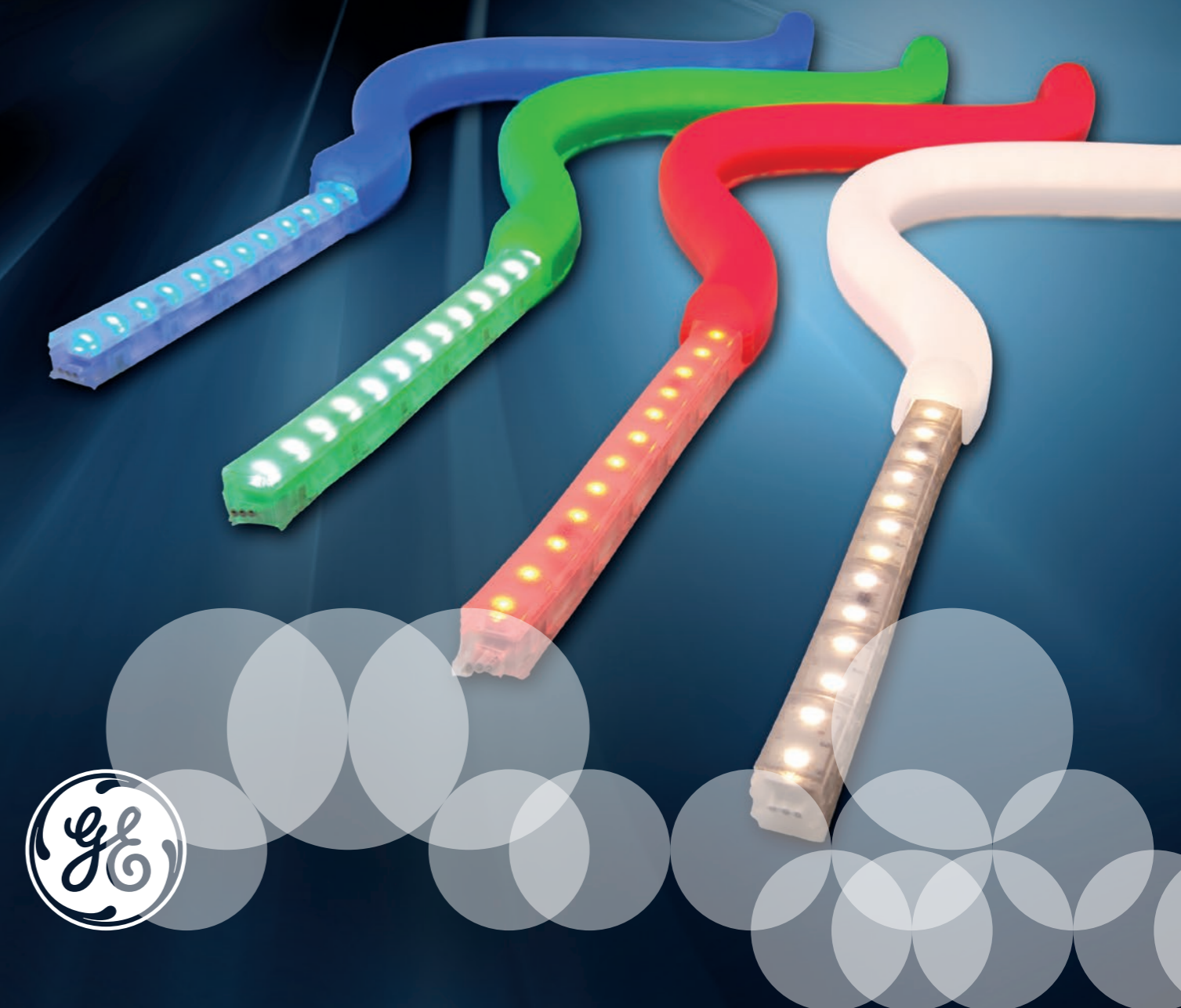
and General Electric are both registered trademarks of the General Electric Company

GE Lighting is constantly developing and improving its products. For this reason, all product descriptions in this brochure are intended as a general guide, and we may change specifications time to time in the interest of product development, without prior notification or public announcement. All descriptions in this publication present only general particulars of the goods to which they refer and shall not form part of any contract. Data in this guide has been obtained in controlled experimental conditions. However, GE Lighting cannot accept any liability arising from the reliance on such data to the extent permitted by law.

www.gelighting.com

Tetra® Contour & Contour LS LED Lighting System

NEON replacement that fits your business



Tetra® Contour & Contour LS

Complete NEON replacement system

Tetra Contour combines a flexible LED light engine with a rigid, optically diffuse extruded-plastic light guide that can be heated and formed to fit a wide variety of designs and applications. **Tetra Contour LS** (linear series) is the unbendable companion product used for creating linear border lighting sections. Working together, these products comprise a complete LED system that provides the classic appearance of neon and complements the unique design of any building.

Labor Saving Installation

Tetra Contour installation is quick and easy using low-profile mounting clips. It provides a bright, uniform appearance, seamless illumination and a wide 330° of light output. **Tetra Contour LS** comes pre-assembled and features a plug & play design that saves on labor and installation costs. For each 8-foot (2.44m) length, simply screw in light guide mounting clips, clip Tetra Contour LS into place, use quick connectors to plug in next section, and you're done.

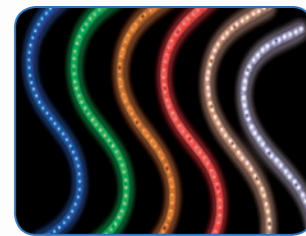


Contour LS installation is simplified with plug-&-play quick connectors



Range of Colors

With several brilliant colors of LED light engine and several vibrant light guides to choose from, designers can mix-n-match components to easily create customized looks.



Tetra Contour light engine



Tetra Contour light guide

Vastly Superior Loading

Versus our previous products, improved **Tetra Contour** features **103% greater loading**, and new **Tetra Contour LS** delivers **137% greater loading**—so more feet of product can be run off each power supply than ever before—providing significant savings on material and labor costs.

Durable Robust System

Designed using GE Six Sigma quality standards, the **Tetra Contour** LED lighting system has a long life that delivers up to five years of continuous 24/7 use. Impact resistant design helps eliminate excess shipping, installation and maintenance costs due to breakage. It withstands harsh weather conditions, vibration and stress, and is backed by our 5-year Limited Warranty.

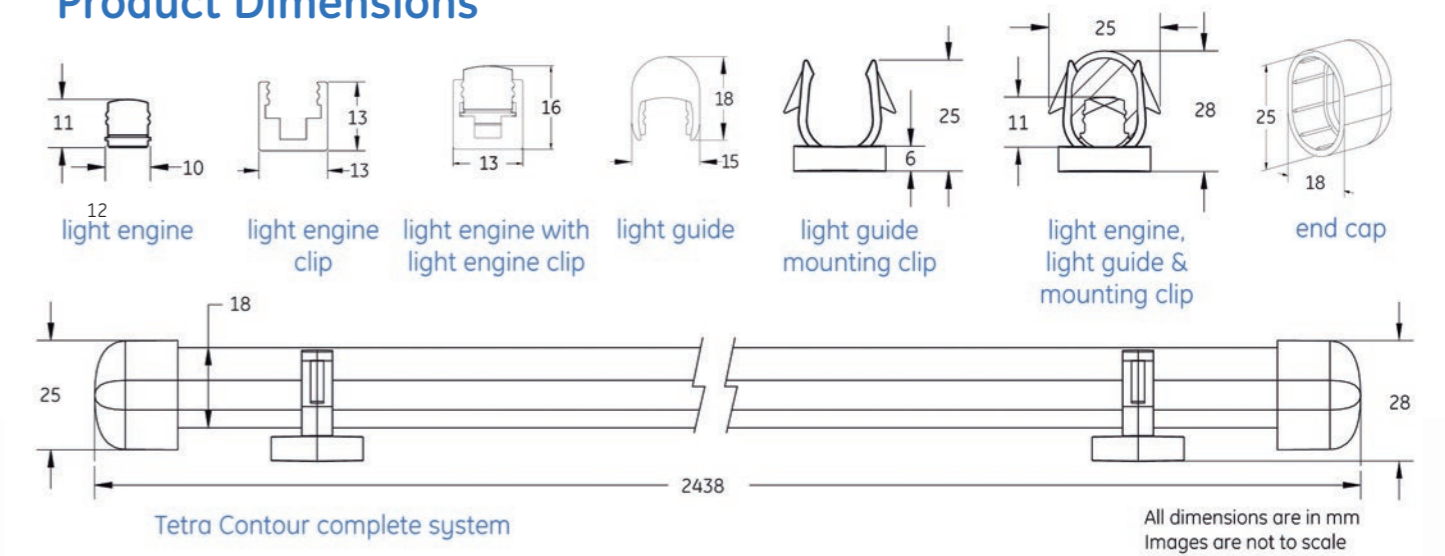
Tested for Reliability

To ensure every **Tetra Contour** LED lighting system will perform brilliantly for years, we not only test for reliability, we also validate the robustness of our products. Rather than rely solely on the test data from LED suppliers, we test the LED, sub-system and complete Tetra system at our in-house and independent laboratories around the world. Validation of our designs, components, products and processes include high-temperature, high-humidity and accelerated life testing.

Designed with Environmental Responsibility in Mind

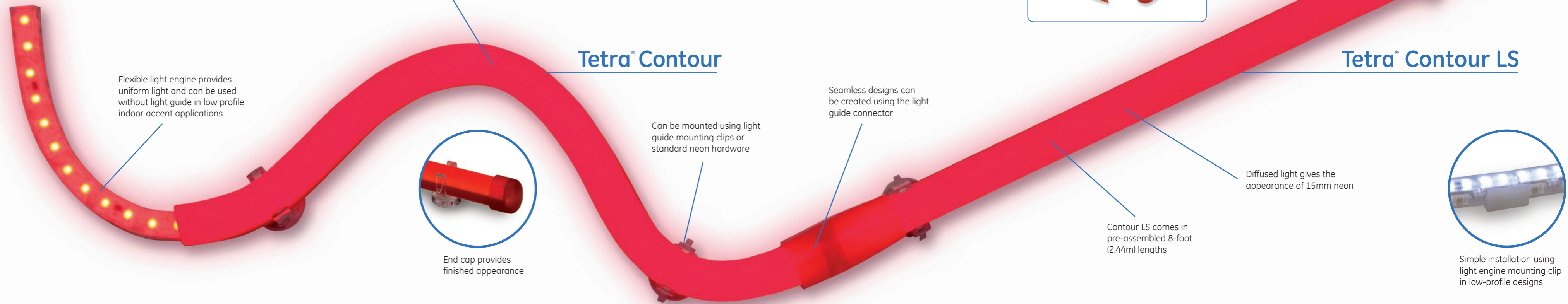
This environmentally responsible LED lighting system complies with RoHS standards. **Tetra Contour** contains no lead, mercury or glass, so handling and disposal are less of a concern.

Product Dimensions



Accessories

Accessories are available in straight connectors and a variety of 90-degree corners to create seamless designs.



Tetra® Contour

Tetra® Contour LS