



LED Mercury

Product information

GE's LED Mercury lamp offers safe, reliable and affordable energy saving alternative to HID Mercury lamps used in outdoor and industrial applications. GE's new 35W LED Mercury lamps can offer direct retrofit replacement for 80W and 125W HID Mercury installations.

This replacement can be completed simply without costly upgrade. The robust lamp design with E27 base ensures direct retrofitting and easy handle during installation. The upgraded fixture will deliver up to 75% energy saving and reduced operating cost driven by the increased life.

Specification Features

Long life

- 40,000 hours rated life (L70)
- Lasts 2x longer than typical HID Mercury lamp
- Active cooling inside the lamp to ensure long life for this high power LED lamp

High efficiency

- Outstanding energy efficiency up to 137 lm/w
- A++ energy efficiency rating
- Uses 75% less energy than 125W HID Mercury

High Quality lighting effect

- High uniformity of light with optimized light distribution
- Available with a CRI of 70
- High color consistency of <6 steps

Environmentally Conscious

- Energy efficient lamp that contains no lead or Mercury

Features

- 35W LED lamp to deliver energy saving up to 75% versus HID Mercury lamps
- High light output of 4800 lumens
- Available in 3000 and 4000K
- Compatible with 80 and 125W Magnetic HID Mercury ballast and also can be operated on Mains Voltage
- IP20 rating

Application areas



Street and Pedestrian



Commercial Areas /
City Beautification / Architectural



Industrial



IEC standards

IEC 62560	Self-ballasted LED-lamps for general lighting services by voltage > 50 V – Safety specifications
IEC 62471	Photobiological safety of lamps and lamp systems
IEC/TR 62778:2014	Photobiological safety of lamps and lamp systems – Part 2: Guidance on manufacturing requirements relating to non-laser optical radiation safety
EN 55014-1	Emission – Electrical motor-operated and thermal appliances for household and similar purposes, electrical tools and similar electrical apparatus
EN 55014-2	Immunity - Household appliances, electric tools and similar
EN 55015	Limits and methods of measurement of radio disturbance characteristics of electrical lighting
EN 61547	Specification for equipment for general lighting purposes. EMC Immunity requirements
EN 61000-3-2	Limits for harmonic current emissions (equipment rated current ≤16A)
EN 61000-3-3	Limitation of voltage fluctuations and flicker in low voltage supply systems (equipment rated current ≤16A)
EN 62493	Assessment of lighting equipment related to human exposure to electromagnetic field
IEC 62776	Double-capped LED lamps designed to retrofit linear fluorescent lamps – Safety Specifications –Clause 6.4.2, Clause 6.5, Clause 13.7, 13.8 & 13.9
IEC 60598-1	Luminaires - Part 1: General requirements and tests – Clause 10.2.2
IEC 60061-1	Lamp Caps and holders together with gauges for the control of interchangeability and safety

Specification summary

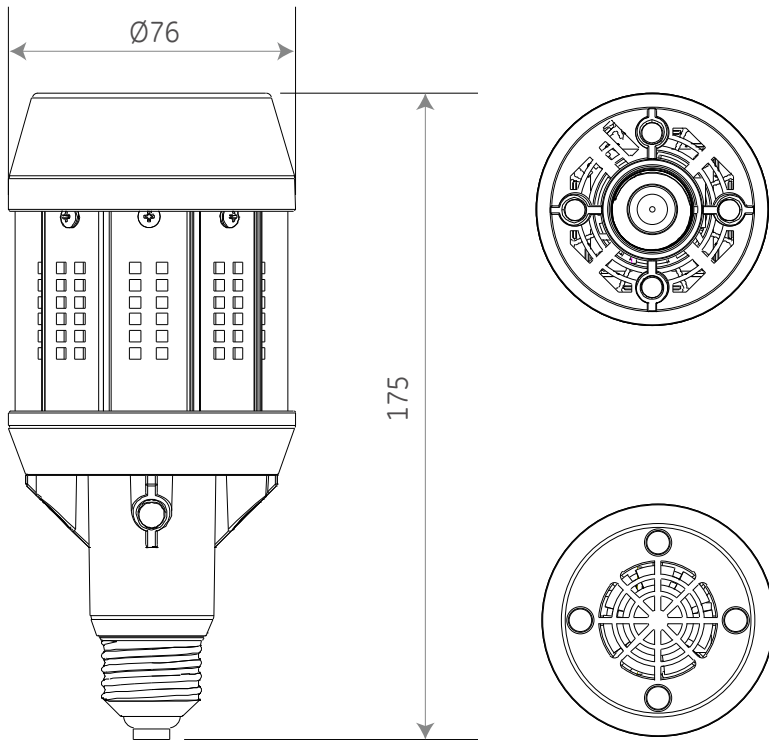
Wattage [W]	Cap	CCT (K)	Product Description	Lumens (lm)	Rated life L70 (h)	CRI (Ra)	EEC	Operating Position	Pack Qty	Product Code
35	E27	3000	LED 35W/Mercury/730/E27 GE BX1/6	4750	40 000	70	A+	universal	6	93038710
35	E27	4000	LED 35W/Mercury/740/E27 GE BX1/6	4800	40 000	70	A++	universal	6	93038711

Electrical and Photometric Characteristics

Ambient temperature range	-30°C to +40°C
Number of switching cycles	>20,000
Lumen maintenance at B50	70%
Color consistency	<6 steps
Dimmable	No
Fixture rating	can be used in enclosed fixture only
Starting time	<0.5sec
Weight	360g
Lamp Voltage	220-240V
Lamp Power Factor	>0.9
Cooling	Active cooling with fan inside the lamp
Surge Voltage protection	4kV when used together with Magnetic Mercury ballast* / 1kV for lamp only

* Lamp's surge performance in fixture may vary with different fixture & ballast according to their design and condition.

Dimensions [mm]



Operation and maintenance

Store and use the lamps the same way as standard high pressure mercury lamps.

- Lamps should be kept free from contamination.
- Switch off mains supply before installing/removing lamp.
- Good condition of the lamp-holder contacts is important to ensure proper operation of lamp.
- Use in enclosed fixtures only.
- Not for use in emergency lighting circuits.